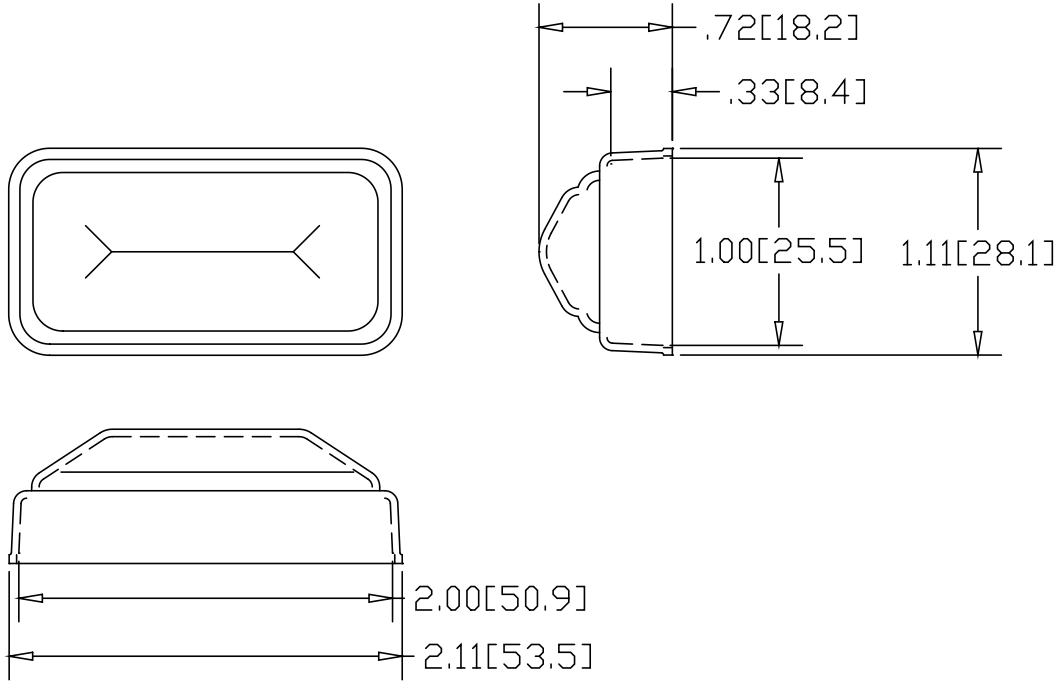



REV  
SH  
DWG NO 5165

REVISIONS			
REV	DESCRIPTION	DATE	APPROVED



INCHES [MILLIMETERS]

ALTERNATE MATERIAL	PART NUMBER
.050 (3003) ALUMINUM ASTM B209	5166
18 GA. 304 STAINLESS STEEL	5167

PART NAME		2.00" x 1.00" RECTANGULAR TUBE END CAP		
MATERIAL		18 GA. CR STEEL ASTM A366		
DATE	1/25/99	 <b>THE WAGNER COMPANIES</b> R & B WAGNER, INC. AND J. G. BRAUN CO.		
DRAWN BY	RJF			
FINISH	MILL			
SIZE	WEIGHT	PART NUMBER	REV	
A	.06 lbs	5165		