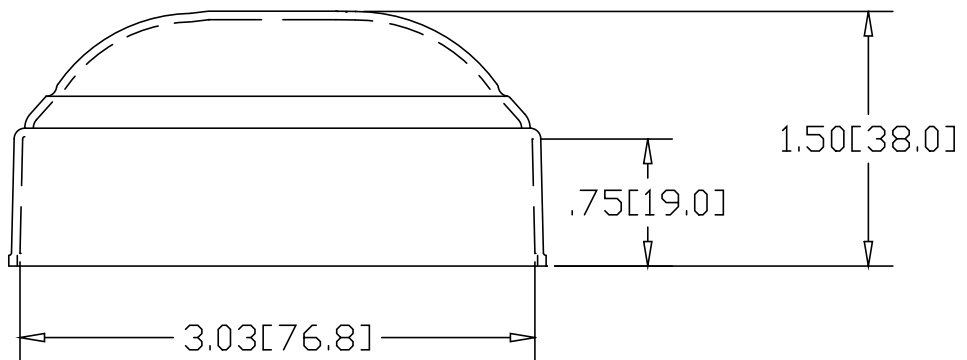
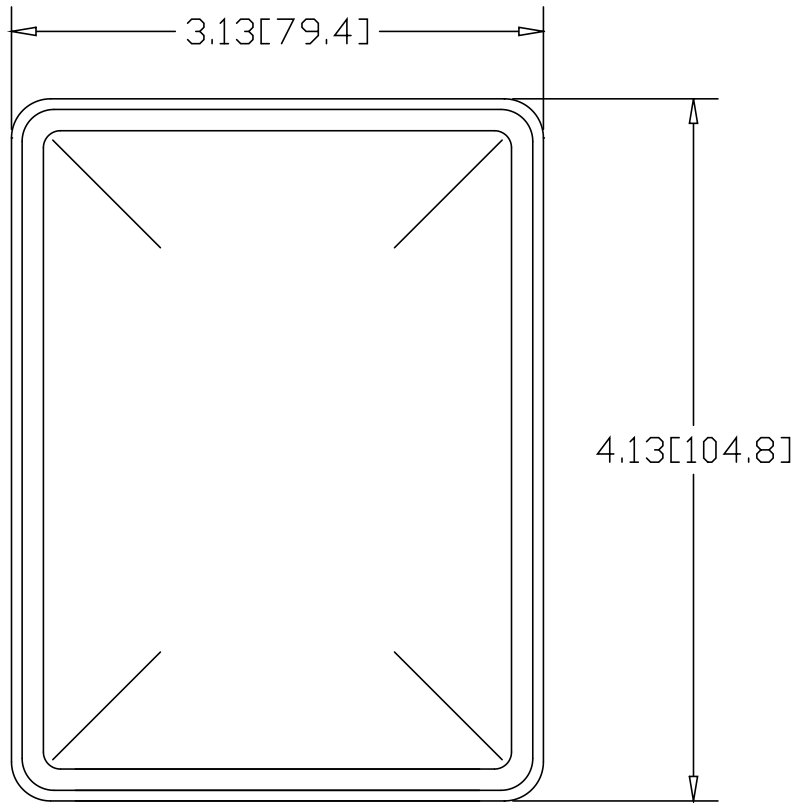



REV
SH
5124
DWG NO

REVISIONS			
REV	DESCRIPTION	DATE	APPROVED



INCHES [MILLIMETERS]

PART NAME		4.00 X 3.00" RECTANGULAR NEWEL POST CAP		
MATERIAL		18 GAUGE CR STEEL ASTM A366		
DATE	6/10/96	 THE WAGNER COMPANIES R & B WAGNER, INC. AND J. G. BRAUN CO.		
DRAWN BY	RJF			
FINISH	MILL			
SIZE	WEIGHT	PART NUMBER	REV	
A	.32 LBS	5124		