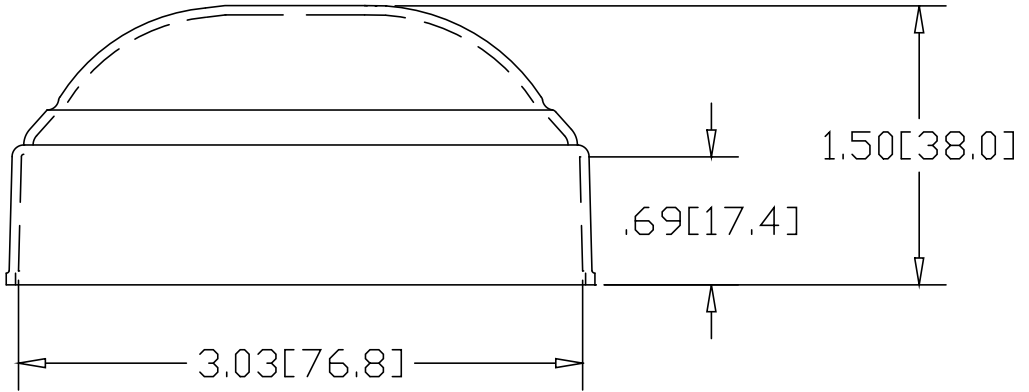
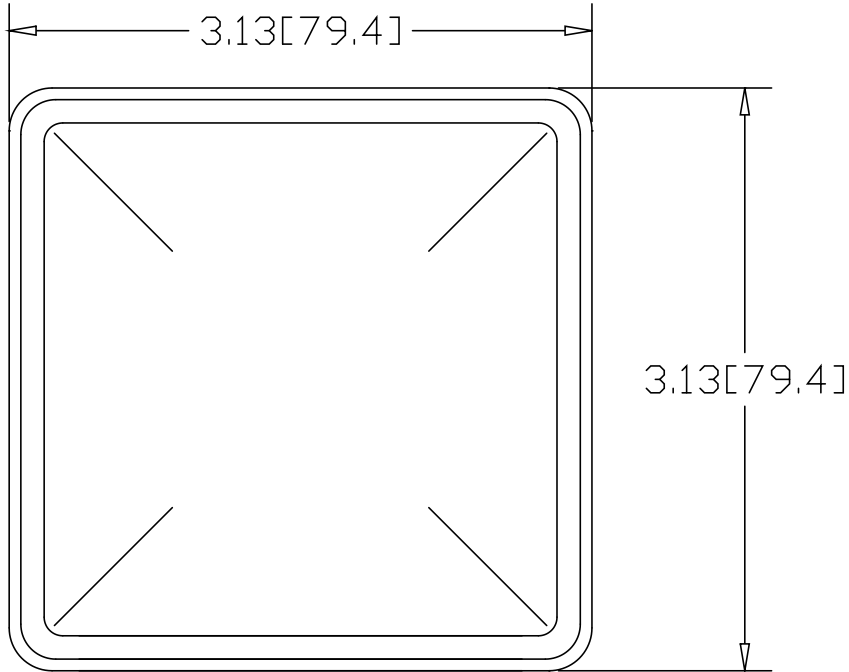



REV  
SH  
5106  
DWG NO

REVISIONS			
REV	DESCRIPTION	DATE	APPROVED



INCHES [MILLIMETERS]

ALTERNATE MATERIAL	PART NUMBER
.050 (3003) ALUMINUM ASTM B209	5107
18 GA. (304) STAINLESS STEEL ASTM A240	5109

PART NAME		3.00" SQUARE NEWEL POST CAP					
MATERIAL		18 GAUGE CR STEEL ASTM A366					
DATE	6/1/94	 <b>THE WAGNER COMPANIES</b> R & B WAGNER, INC. AND J. G. BRAUN CO.					
DRAWN BY	RJF						
FINISH	MILL						
SIZE	A	WEIGHT	.28 LBS	PART NUMBER	5106	REV	