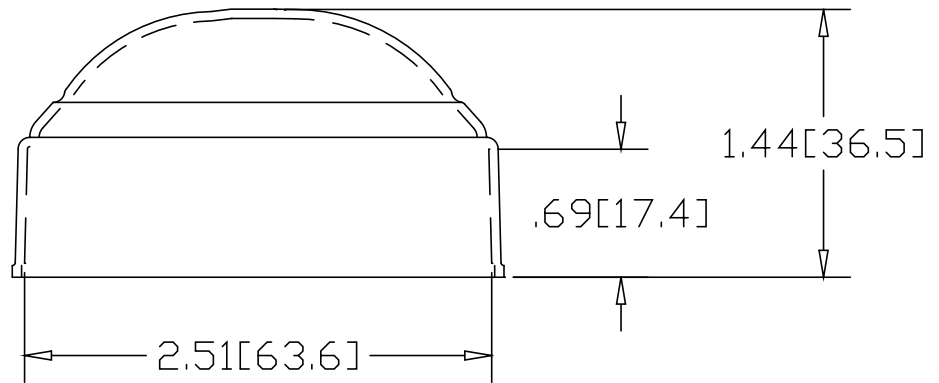
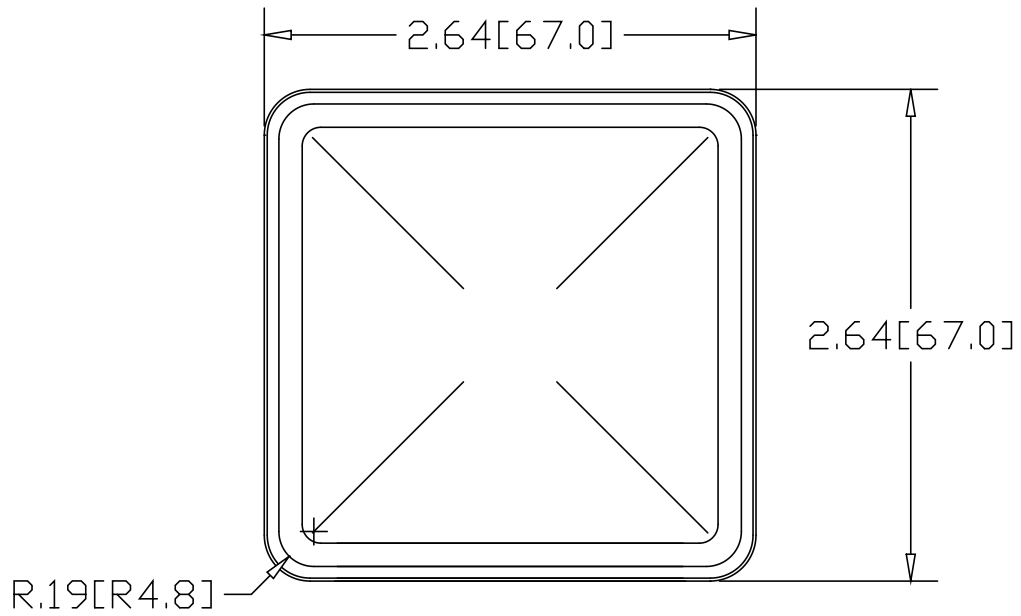



REV  
SH  
5104  
DWG NO

REVISIONS			
REV	DESCRIPTION	DATE	APPROVED



INCHES [MILLIMETERS]

ALTERNATE MATERIAL	PART NUMBER
.050 (3003) ALUMINUM ASTM B209	5105
18 GA. (304) STAINLESS STEEL ASTM A240	5111

PART NAME		2.50" SQUARE NEWEL POST CAP	
MATERIAL		18 GA. CR STEEL ASTM A366	
DATE	2/24/93	 <b>THE WAGNER COMPANIES</b> R & B WAGNER, INC. AND J. G. BRAUN CO.	REV
DRAWN BY	RJF		
FINISH	HRP&0		
SIZE	A	WEIGHT	.20 LBS
PART NUMBER		5104	