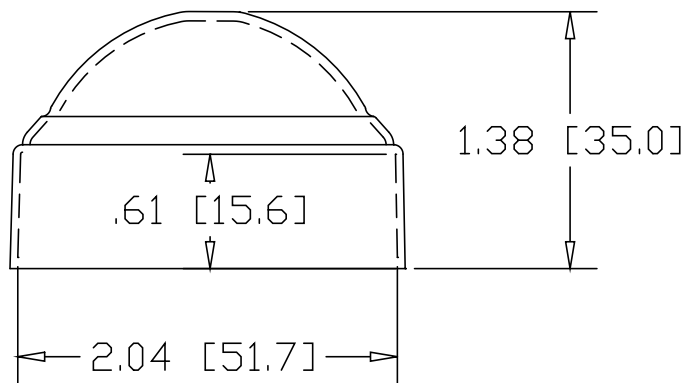
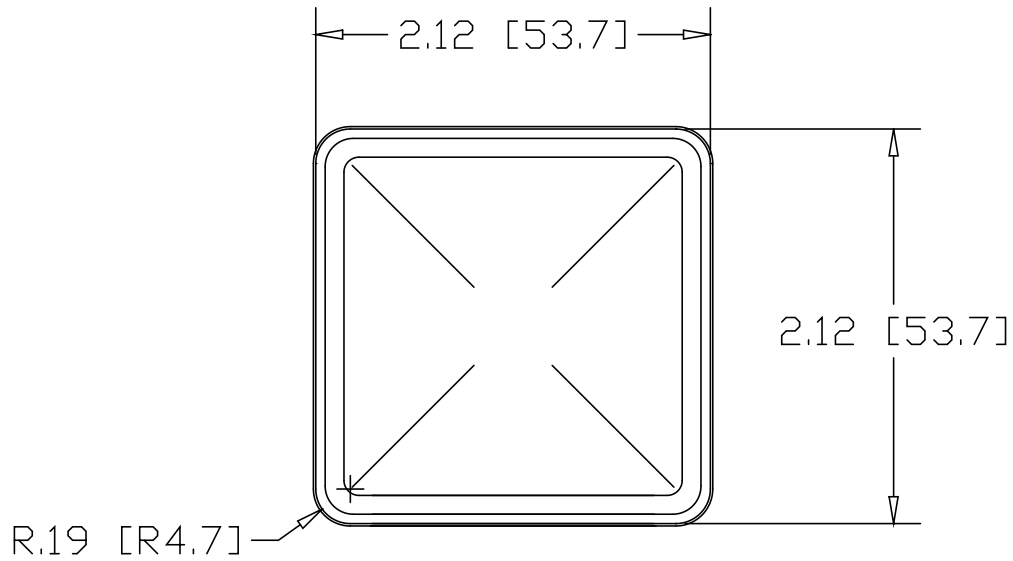



REV
SH
5103
DWG NO

REVISIONS			
REV	DESCRIPTION	DATE	APPROVED
A	REDRAWN	3/30/09	DGP



INCHES [MILLIMETERS]

PART NAME		2.00" SQUARE NEWEL POST CAP					
MATERIAL		18 GA. (304) STAINLESS STEEL ASTM A240					
DATE	6/1/94		THE WAGNER COMPANIES R & B WAGNER, INC. AND J. G. BRAUN CO.				
DRAWN BY	RJF						
FINISH	MILL						
SIZE	A	WEIGHT	.132 LBS	PART NUMBER	5103	REV	A