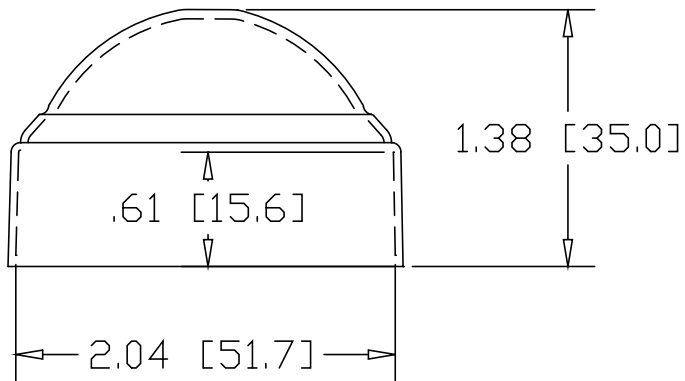
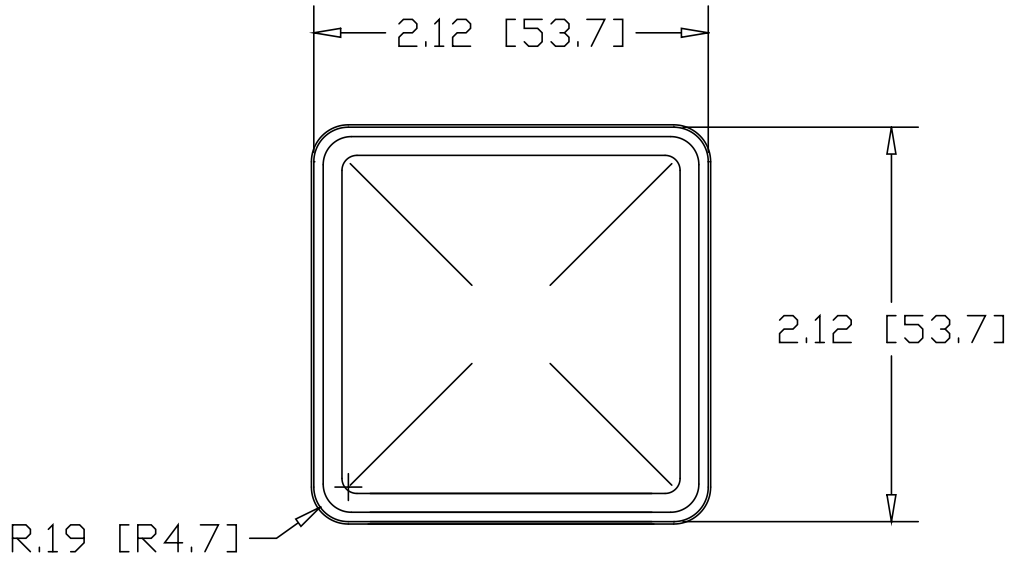



REV
SH
5101
DWG NO

REVISIONS			
REV	DESCRIPTION	DATE	APPROVED
A	REDRAWN	3/30/09	DGP



INCHES [MILLIMETERS]

PART NAME		2.00" SQUARE NEWEL POST CAP					
MATERIAL		.050 (3003) ALUMINUM ASTM B209					
DATE	6/1/94	 THE WAGNER COMPANIES R & B WAGNER, INC. AND J. G. BRAUN CO.					
DRAWN BY	RJF						
FINISH	MILL						
SIZE	A	WEIGHT	.06 LBS	PART NUMBER	5101	REV	A