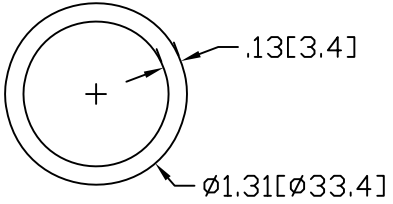
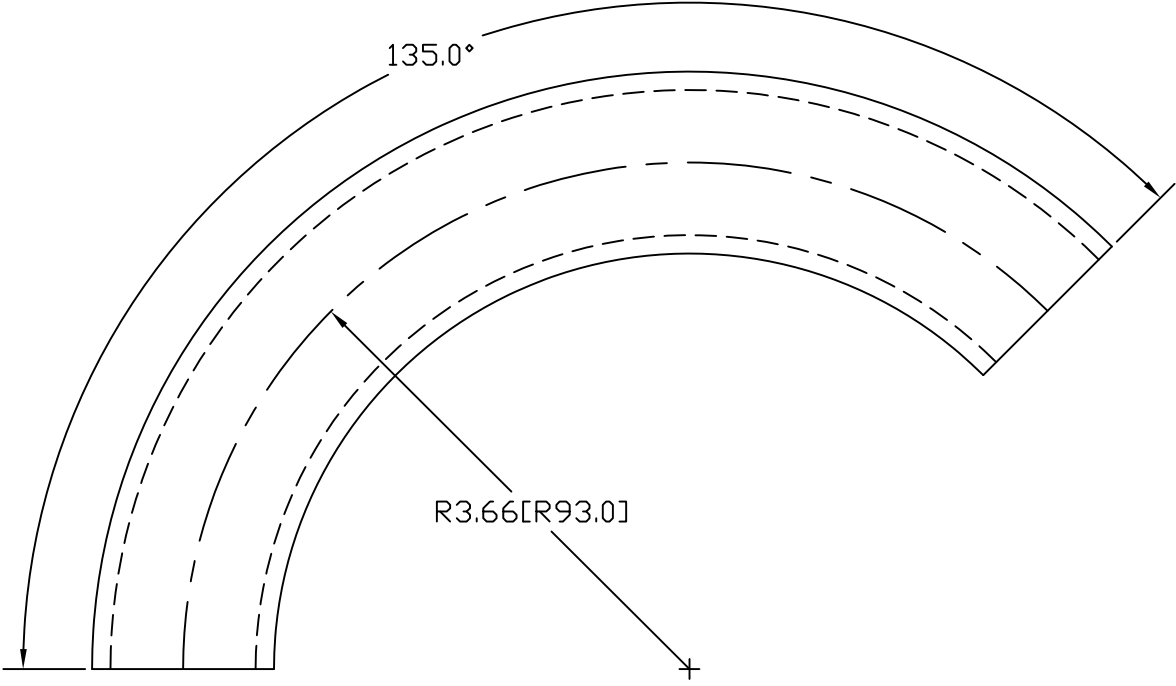



REV
SH
507-4
DWG NO

REVISIONS			
REV	DESCRIPTION	DATE	APPROVED



INCHES [MILLIMETERS]

ALTERNATE MATERIAL	PART NUMBER
1" SCH 40 (6063) ALUMINUM PIPE	517-4
1" SCH 40 (304) STAINLESS STEEL PIPE	527-4

PART NAME		1" PIPE SIZE 135° ELL X 3" I.R.		
MATERIAL		1" SCH 40 A53 STEEL PIPE		
DATE	8/24/95	 R & B WAGNER, INC.		
DRAWN BY	RJF			
FINISH	MILL	SIZE	WEIGHT	PART NUMBER
		A	1.2 LBS	507-4
				REV