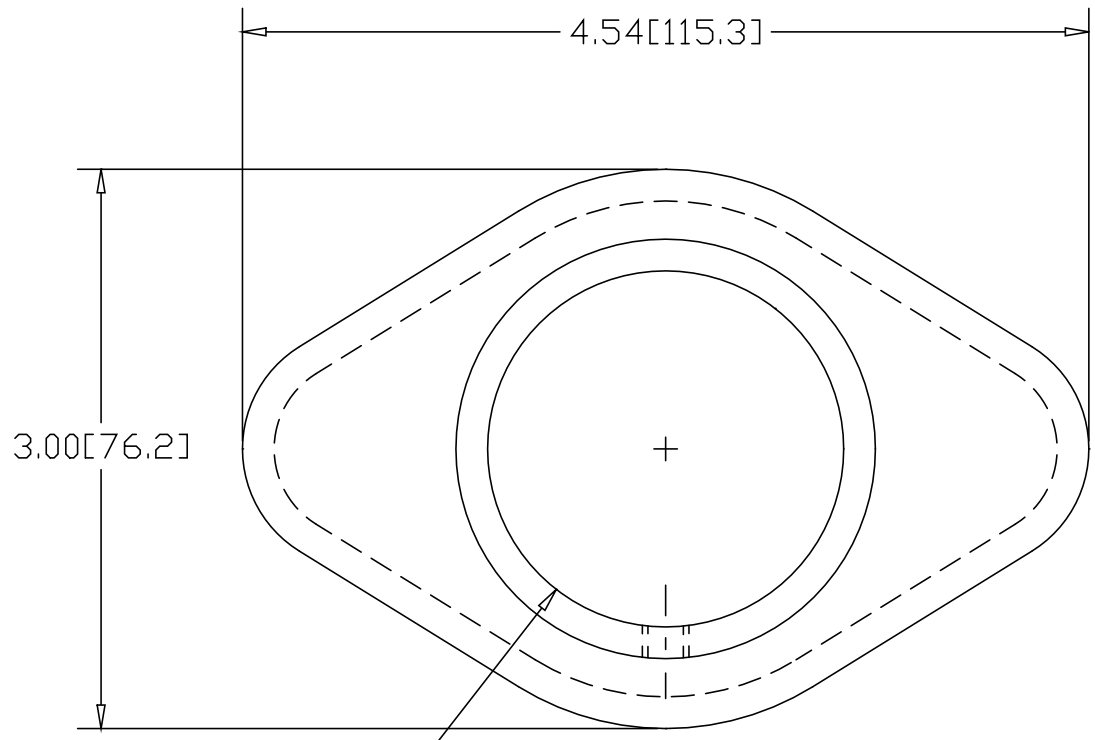


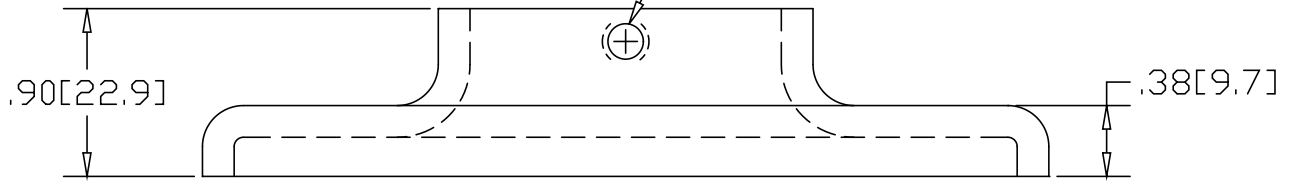
REV
SH
4917
DWG NO

REVISIONS			
REV	DESCRIPTION	DATE	APPROVED




Ø1.91[Ø48.5]

1/4-20 SET-SCREW



INCHES [MILLIMETERS]

ALTERNATE MATERIAL	PART NUMBER
.190 (3003) ALUMINUM ASTM B209	4947
7 GA. (304) STAINLESS STEEL ASTM A240	4977

PART NAME 1-1/2" PIPE SIZE TAPERED HEAVY BASE FLANGE WITH SET-SCREW			
MATERIAL 7 GA. HRP&D STEEL ASTM A569			
DATE	5/22/95		
DRAWN BY	RJF		
FINISH	MILL	SIZE	A
		WEIGHT	.47 LBS
		PART NUMBER	4917
		REV	