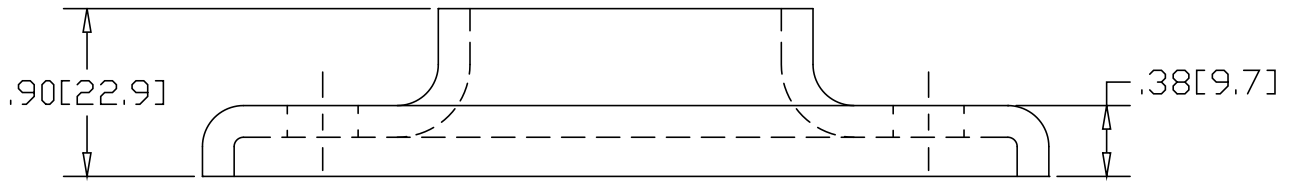
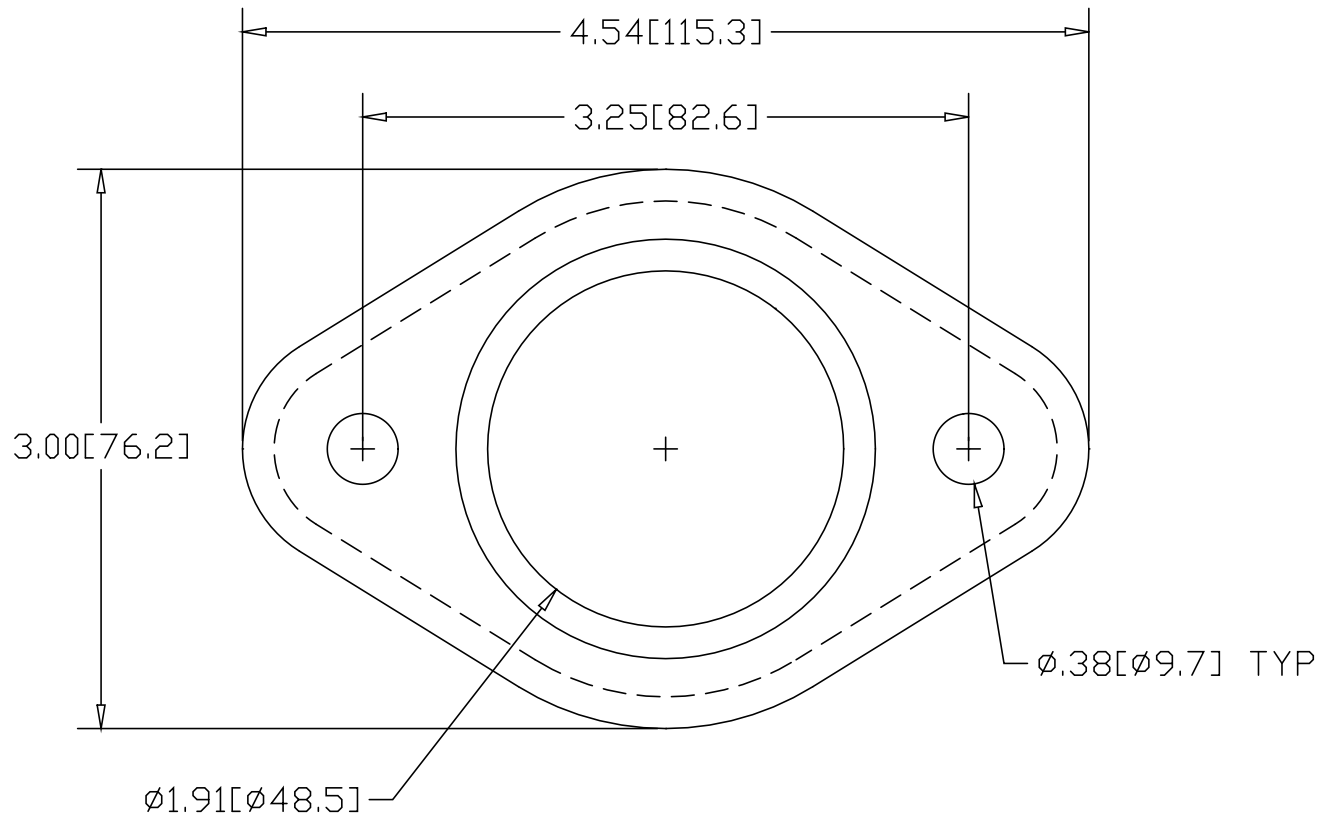


REV  
SH  
4916  
DWG NO


REVISIONS			
REV	DESCRIPTION	DATE	APPROVED



\*USE WITH ANCHOR PLATE  
 #4919 IN STEEL  
 #4949 IN ALUMINUM  
 #4979 IN STAINLESS

INCHES [MILLIMETERS]

ALTERNATE MATERIAL	PART NUMBER
.190 (3003) ALUMINUM ASTM B209	4946
7 GA. (304) STAINLESS STEEL ASTM A240	4976

PART NAME 1-1/2" PIPE SIZE TAPERED HEAVY BASE FLANGE W/(2) HOLES			
MATERIAL 7 GA. HRP&D STEEL ASTM A569			
DATE 5/22/95		R & B WAGNER, INC.	
DRAWN BY RJF		SIZE A	WEIGHT .47 LBS
FINISH MILL			REV