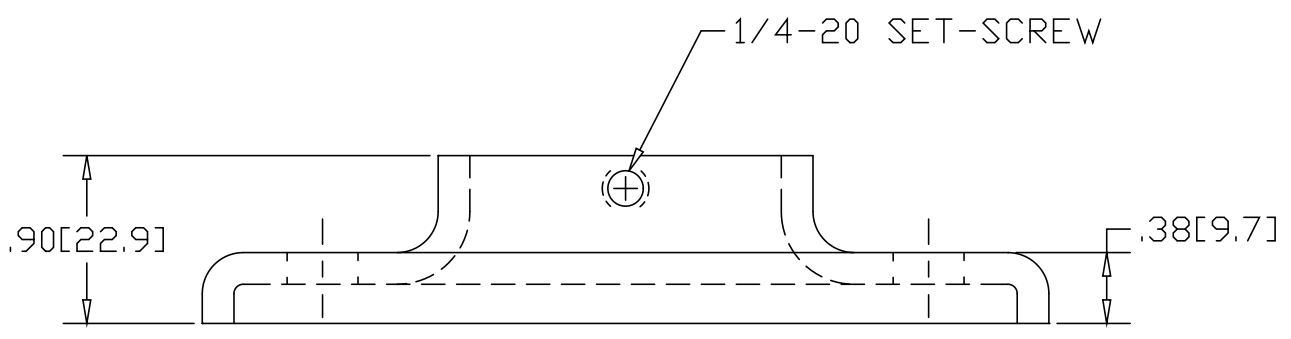
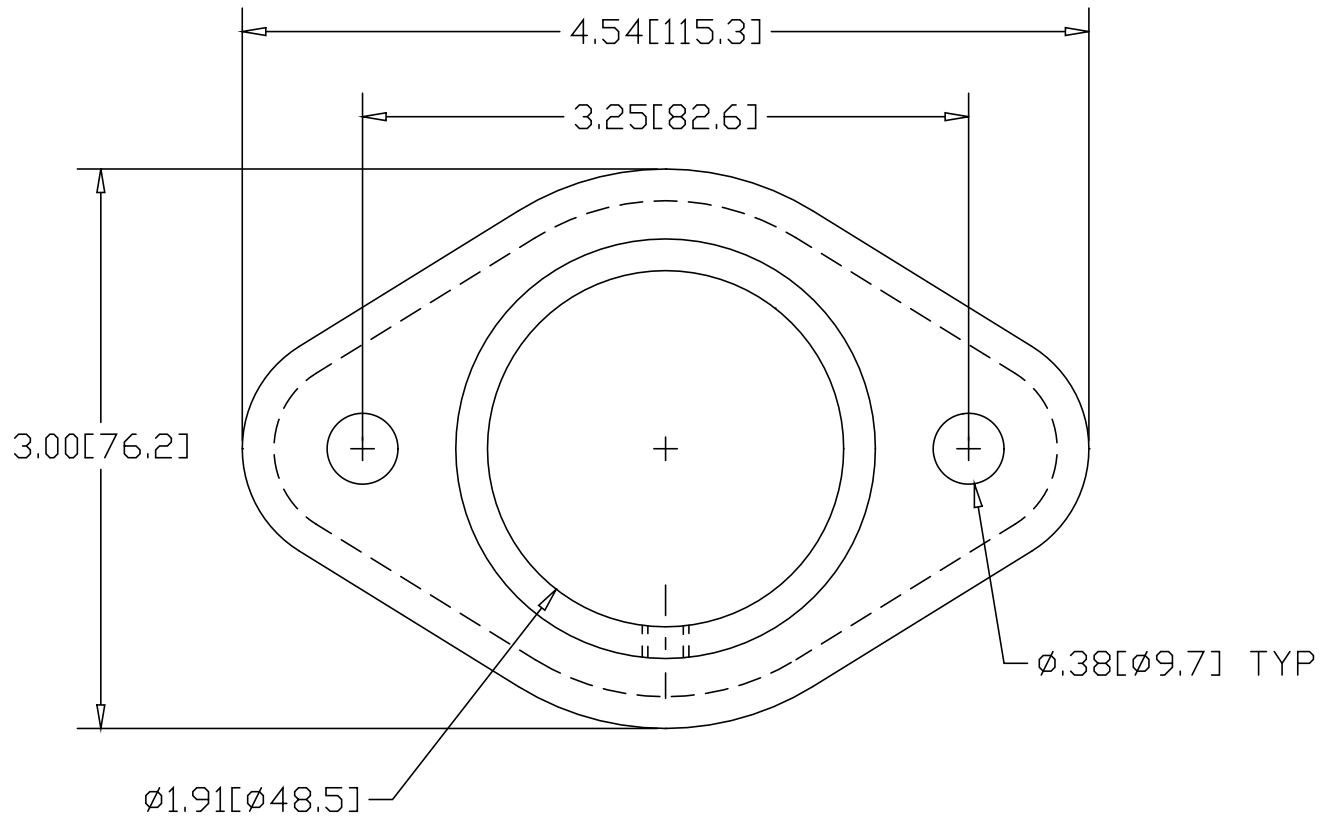



REV  
SH  
4918  
DWG NO

| REVISIONS |             |      |          |
|-----------|-------------|------|----------|
| REV       | DESCRIPTION | DATE | APPROVED |



INCHES [MILLIMETERS]

| ALTERNATE MATERIAL                    | PART NUMBER |
|---------------------------------------|-------------|
| .190 (3003) ALUMINUM ASTM B209        | 4948        |
| 7 GA. (304) STAINLESS STEEL ASTM A240 | 4978        |

|  |   |                    |                |
|--|---|--------------------|----------------|
| PART NAME 1-1/2" PIPE SIZE TAPERED HEAVY BASE FLANGE W/(2) HOLES & SET-SCREW |   |                    |                |
| MATERIAL 7 GA. HRP&D STEEL ASTM A569   |   |                    |                |
| DATE 5/22/95   |  | R & B WAGNER, INC. |                |
| DRAWN BY RJF   |   | SIZE A             | WEIGHT .47 LBS |
| FINISH MILL  |   |                    | REV            |