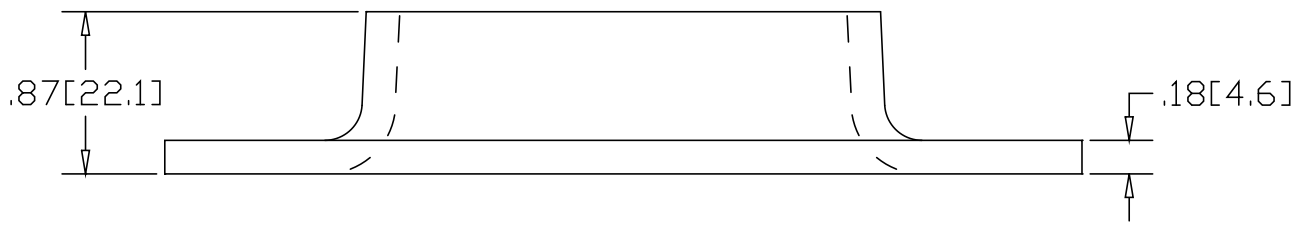
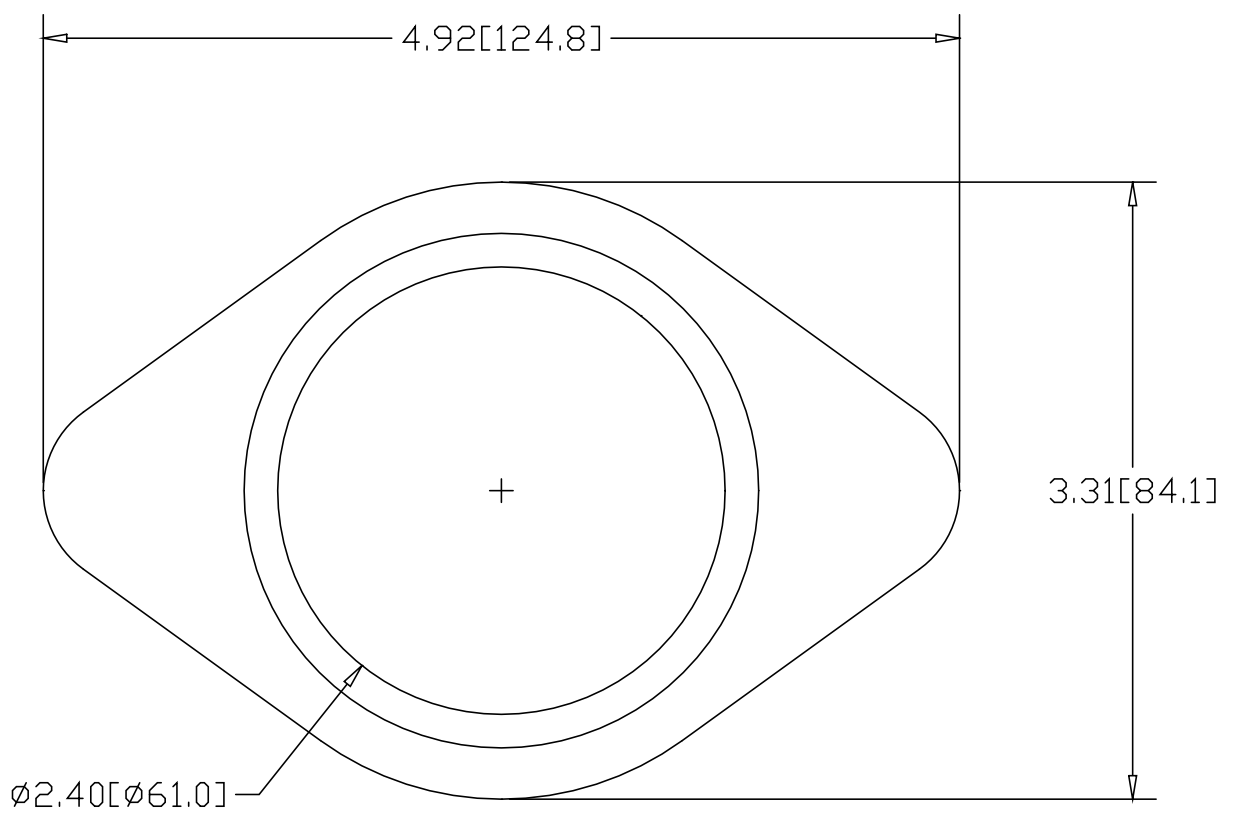



REV
SH
4820
DWG NO

REVISIONS			
REV	DESCRIPTION	DATE	APPROVED



INCHES [MILLIMETERS]

ALTERNATE MATERIAL	PART NUMBER
.190 (3003) ALUMINUM ASTM B-209	4850
7 GA. (304) STAINLESS STEEL ASTM A-240	4880

PART NAME				2" PIPE SIZE TAPERED FLAT BASE FLANGE			
MATERIAL				7 GA. HRP&D STEEL ASTM A-569			
DATE		5/1/95		 R & B WAGNER, INC.			
DRAWN BY		RJF					
FINISH		MILL					
SIZE	WEIGHT	PART NUMBER	REV				
A	.49 LBS	4820					