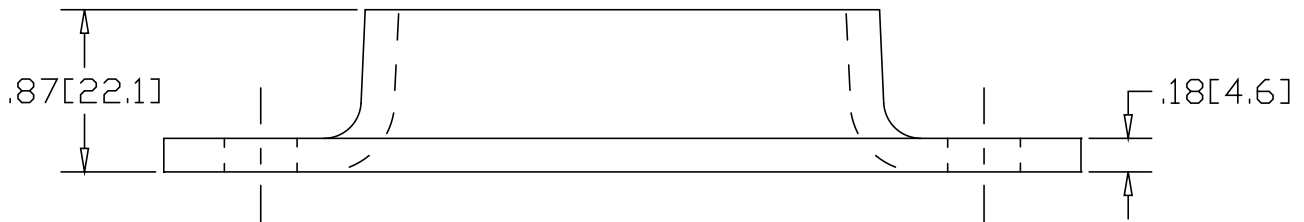
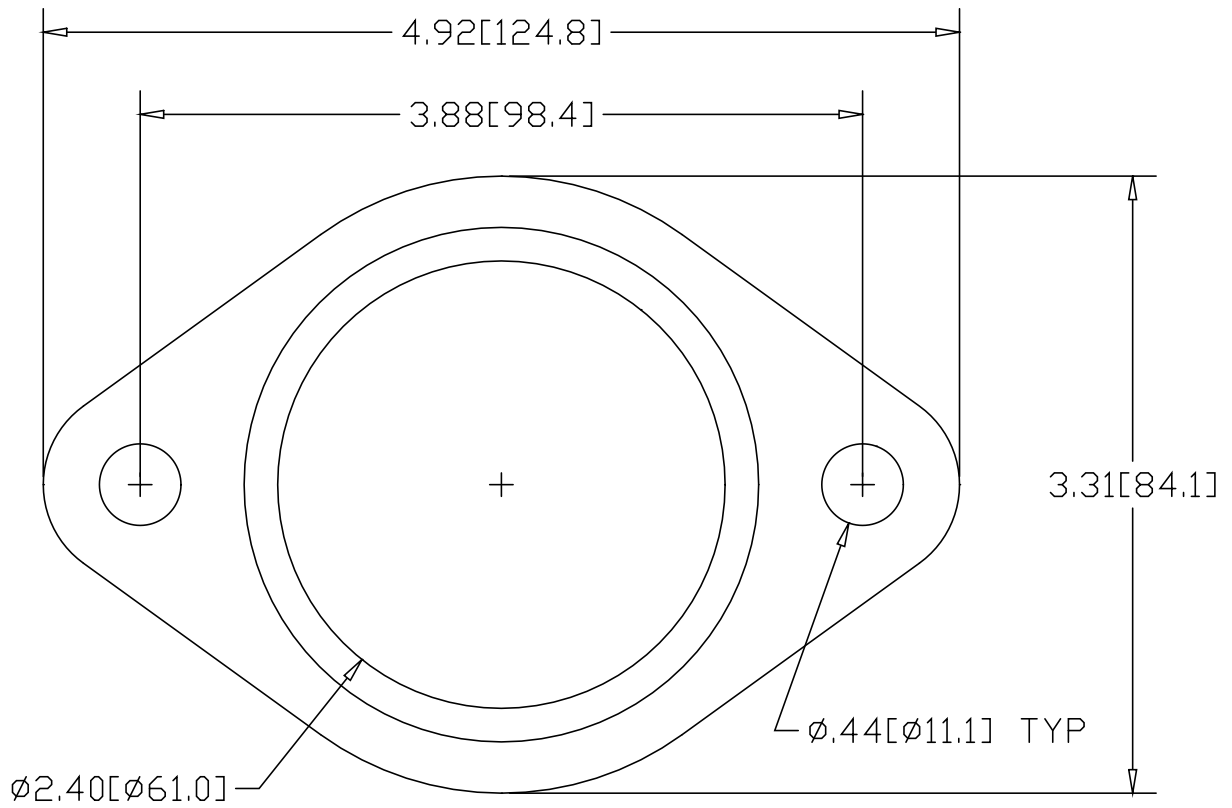


REV  
SH  
4821  
DWG NO

REVISIONS			
REV	DESCRIPTION	DATE	APPROVED



INCHES [MILLIMETERS]

ALTERNATE MATERIAL	PART NUMBER
.190 (3003) ALUMINUM ASTM B-209	4851
7 GA. (304) STAINLESS STEEL ASTM A-240	4881

PART NAME 2" PIPE SIZE TAPERED FLAT BASE FLANGE WITH (2) HOLES			
MATERIAL 7 GA. HRP&D STEEL ASTM A-569			
DATE 5/1/95			
DRAWN BY RJF			
FINISH MILL			
SIZE A	WEIGHT .49 LBS	PART NUMBER 4821	REV