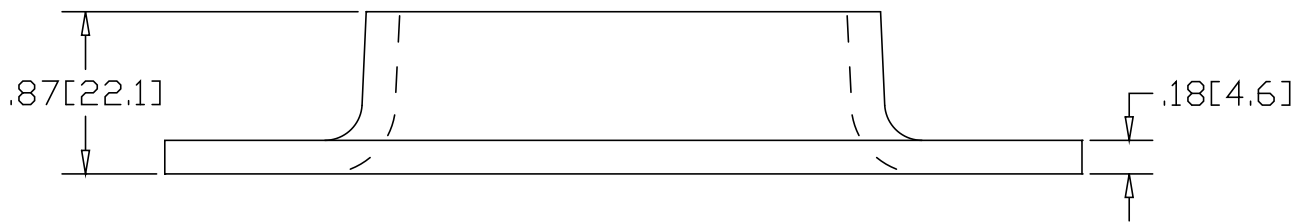
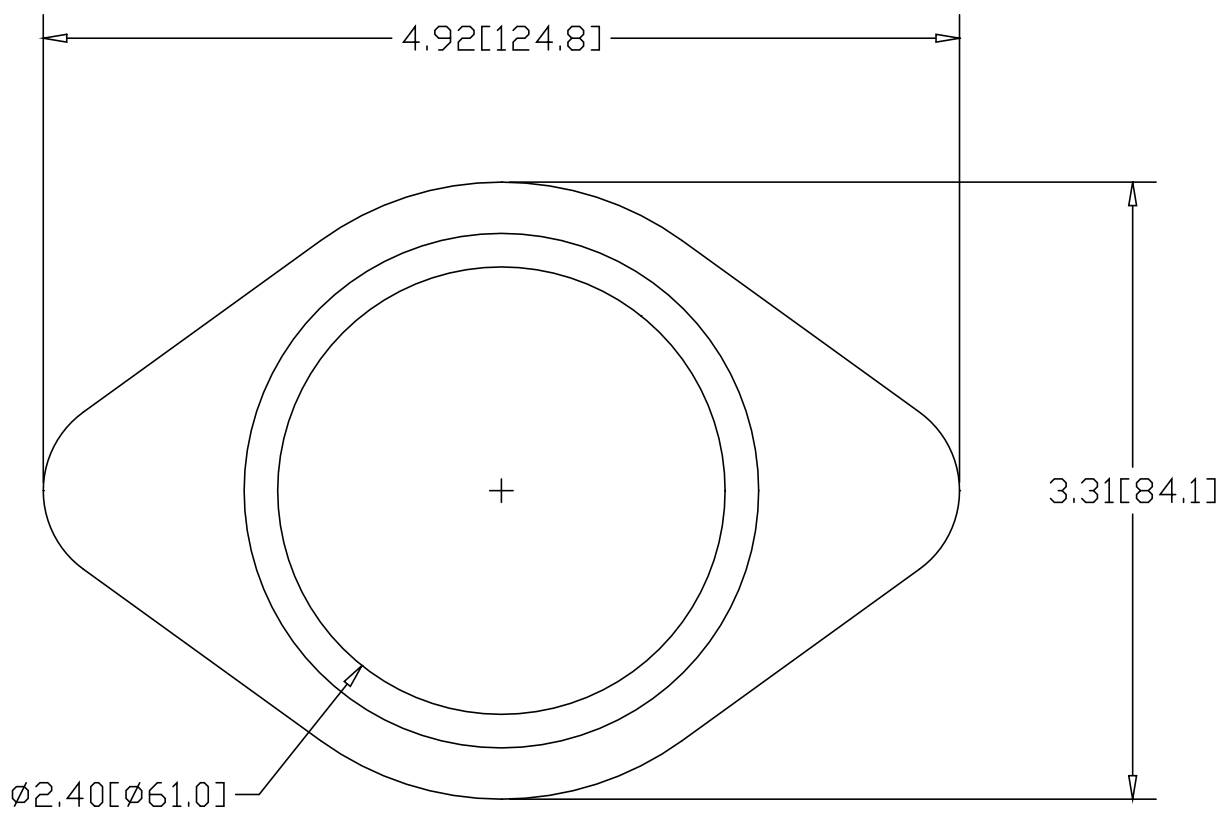



REV  
SH  
4820  
DWG NO

REVISIONS			
REV	DESCRIPTION	DATE	APPROVED



INCHES [MILLIMETERS]

ALTERNATE MATERIAL	PART NUMBER
.190 (3003) ALUMINUM ASTM B-209	4850
7 GA. (304) STAINLESS STEEL ASTM A-240	4880

PART NAME		2" PIPE SIZE TAPERED FLAT BASE FLANGE					
MATERIAL		7 GA. HRP&D STEEL ASTM A-569					
DATE	5/1/95	 <b>R &amp; B WAGNER, INC.</b>					
DRAWN BY	RJF						
FINISH	MILL						
SIZE	A	WEIGHT	.49 LBS	PART NUMBER	4820	REV	