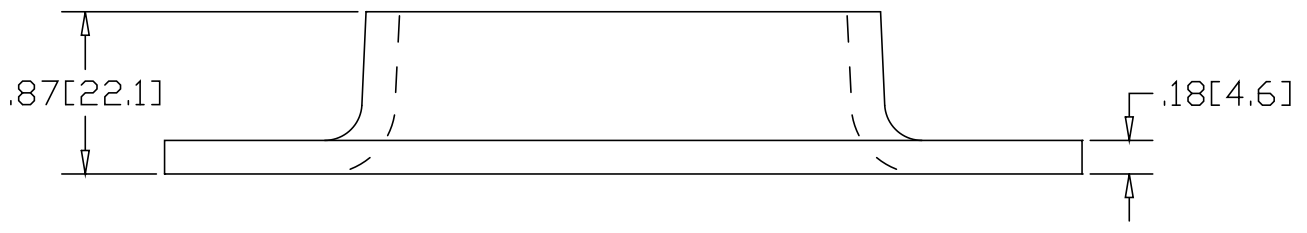
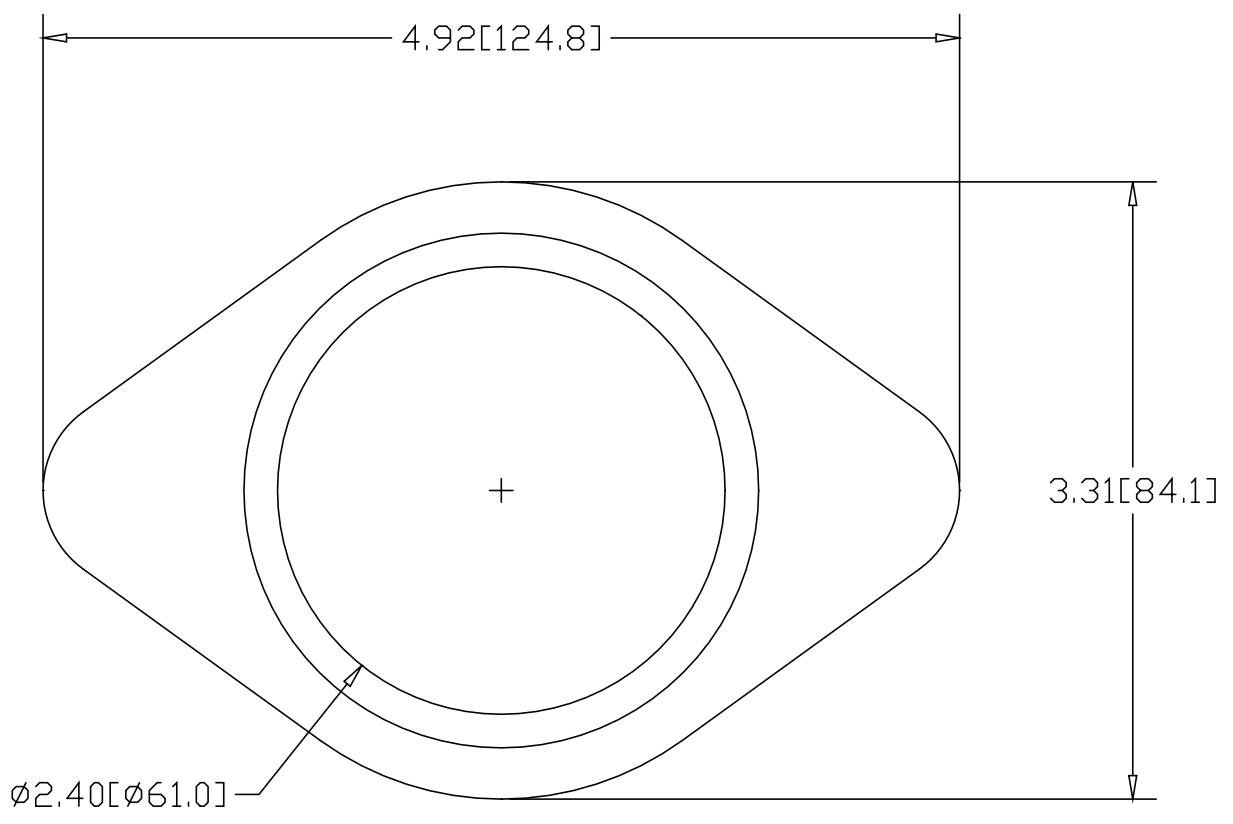



REV  
SH  
4820  
DWG NO

| REVISIONS |             |      |          |
|-----------|-------------|------|----------|
| REV       | DESCRIPTION | DATE | APPROVED |



INCHES [MILLIMETERS]

| ALTERNATE MATERIAL                     | PART NUMBER |
|--|-------------|
| .190 (3003) ALUMINUM ASTM B-209        | 4850        |
| 7 GA. (304) STAINLESS STEEL ASTM A-240 | 4880        |

|           |         |             |     |   |  |                    |  |
|-----------|---------|-------------|-----|---|--|--------------------|--|
| PART NAME |         |             |     | 2" PIPE SIZE TAPERED FLAT BASE FLANGE   |  |                    |  |
| MATERIAL  |         |             |     | 7 GA. HRP&D STEEL ASTM A-569  |  |                    |  |
| DATE      |         | 5/1/95      |     |  |  | R & B WAGNER, INC. |  |
| DRAWN BY  |         | RJF         |     |   |  |                    |  |
| FINISH    |         | MILL        |     |   |  |                    |  |
| SIZE      | WEIGHT  | PART NUMBER | REV |   |  |                    |  |
| A         | .49 LBS | 4820        |     |   |  |                    |  |