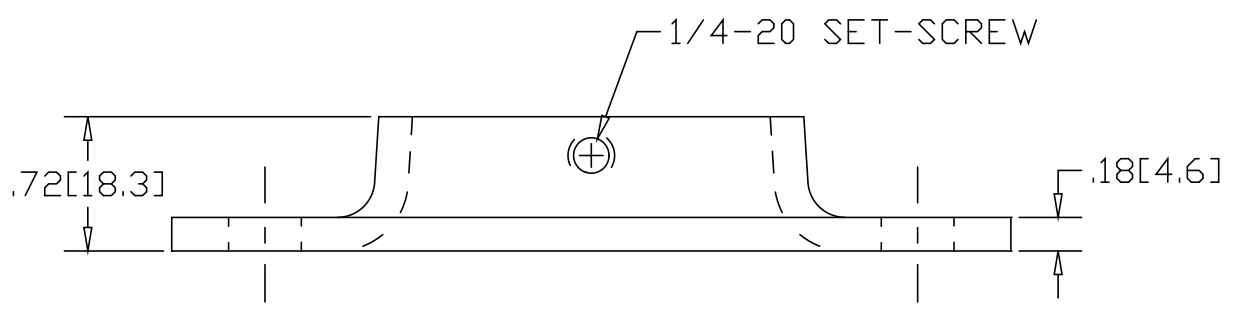
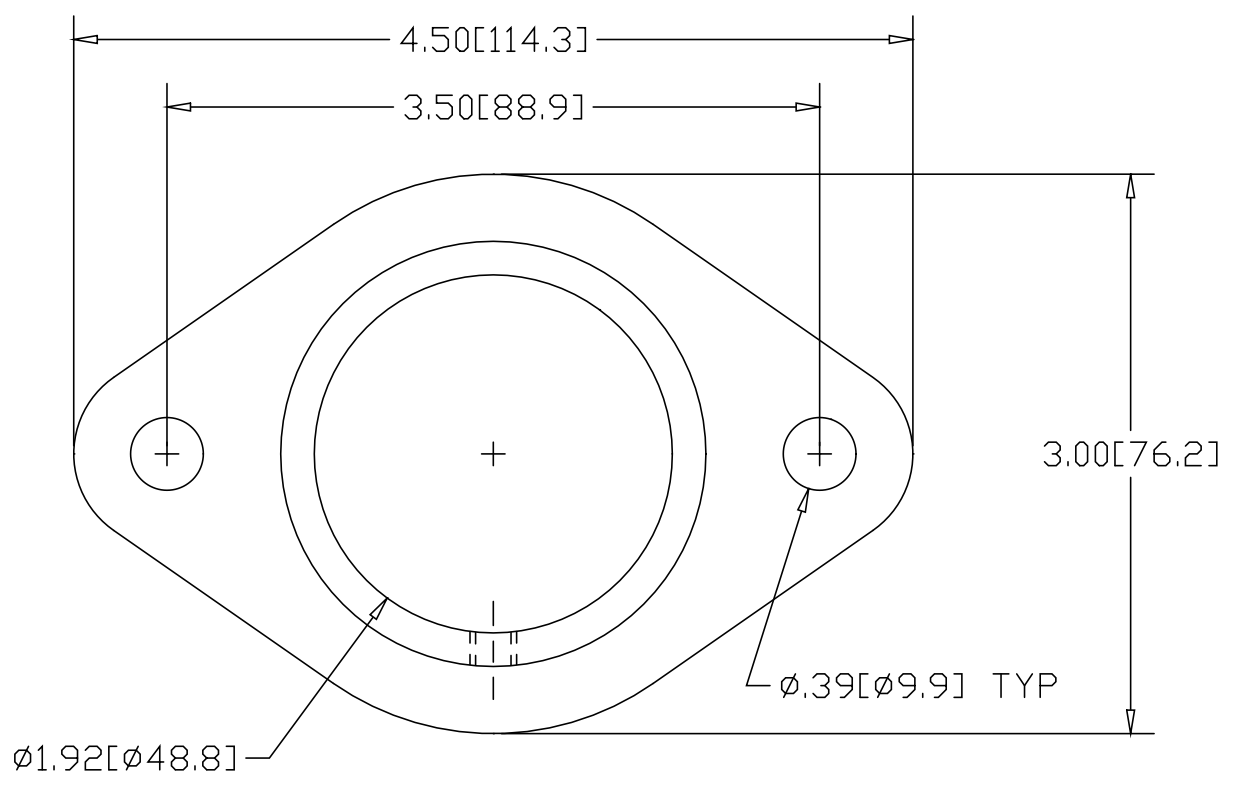


REV
SH
4818
DWG NO

REVISIONS			
REV	DESCRIPTION	DATE	APPROVED



INCHES [MILLIMETERS]

ALTERNATE MATERIAL	PART NUMBER
.190 (3003) ALUMINUM ASTM B-209	4848
7 GA. (304) STAINLESS STEEL ASTM A-240	4878

PART NAME 1-1/2" PIPE SIZE TAPERED FLAT BASE FLANGE W/⟨2⟩ HOLES & SET-SCREW			
MATERIAL 7 GA. HRP&D STEEL ASTM A-569			
DATE 5/1/95			
DRAWN BY RJF			
FINISH MILL			
SIZE A	WEIGHT .42 LBS	PART NUMBER 4818	REV