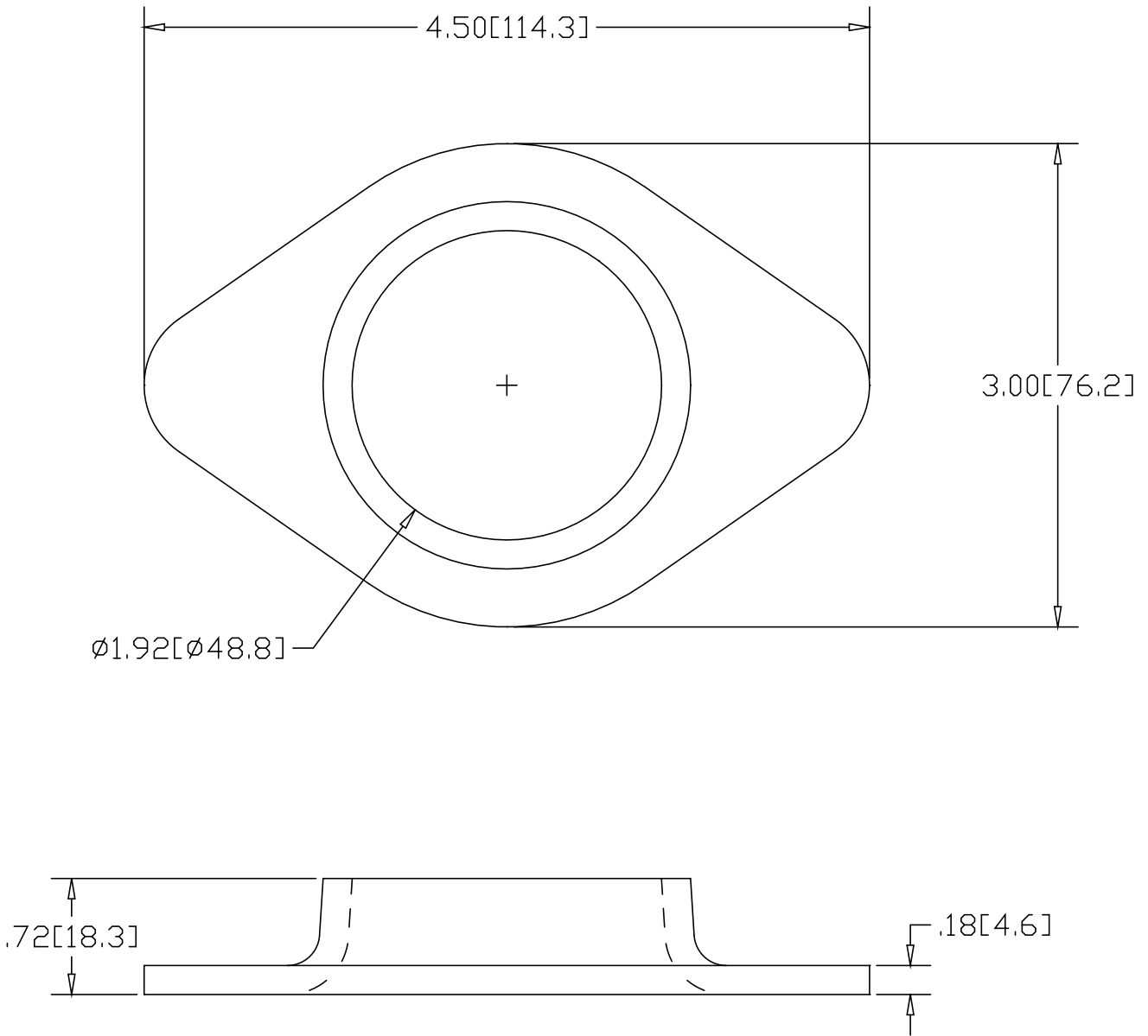


REV  
SH  
4815  
DWG NO

REVISIONS			
REV	DESCRIPTION	DATE	APPROVED



INCHES [MILLIMETERS]

ALTERNATE MATERIAL	PART NUMBER
.190 (3003) ALUMINUM ASTM B-209	4845
7 GA. (304) STAINLESS STEEL ASTM A-240	4875

PART NAME		1-1/2" PIPE SIZE TAPERED FLAT BASE FLANGE					
MATERIAL		7 GA. HRP&D STEEL ASTM A-569					
DATE	5/1/95						
DRAWN BY	RJF						
FINISH	MILL						
SIZE	A	WEIGHT	.42 LBS	PART NUMBER	4815	REV	