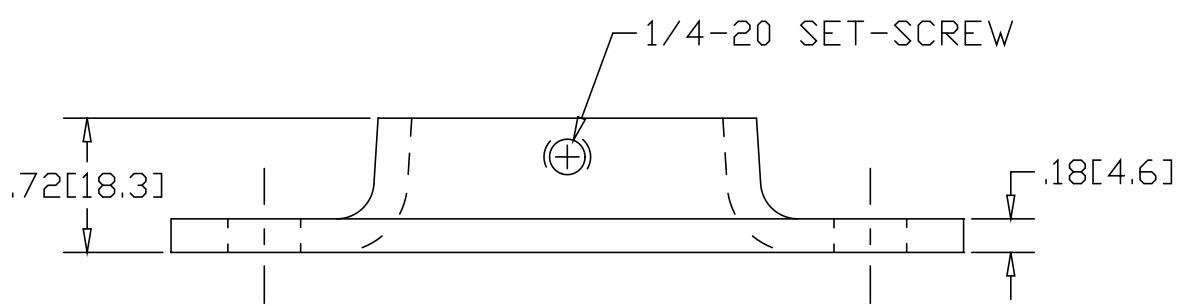
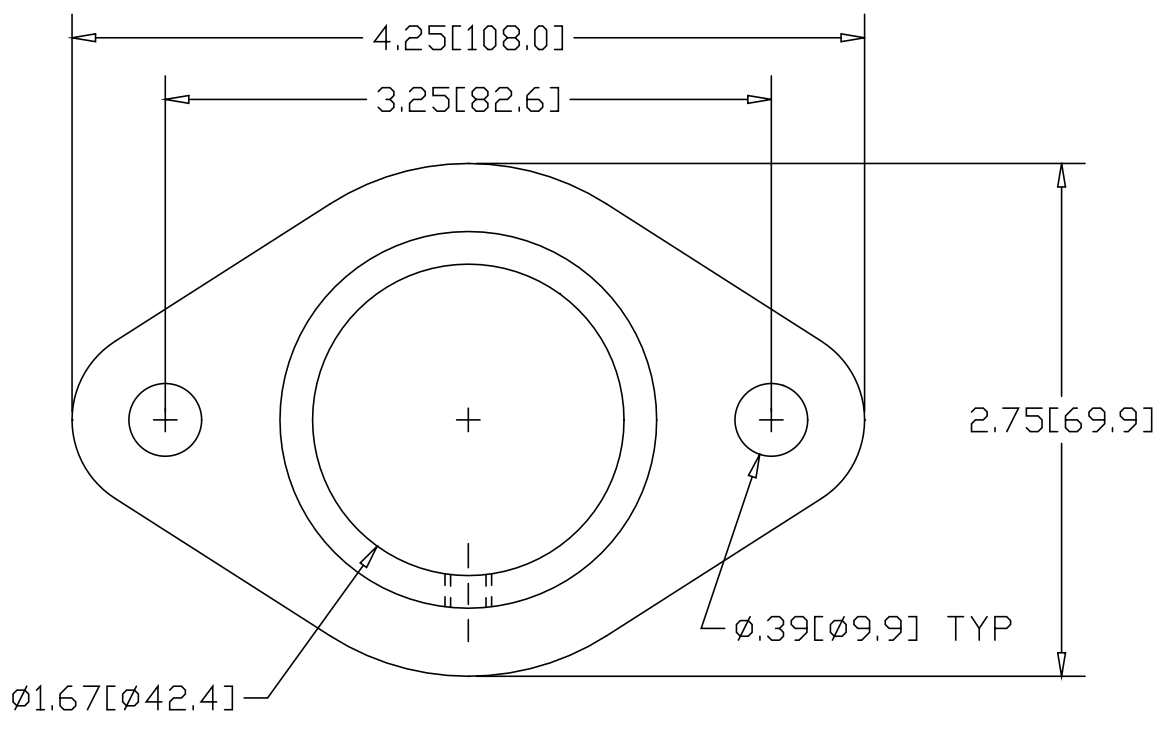


REV  
SH  
4813  
DWG NO

REVISIONS			
REV	DESCRIPTION	DATE	APPROVED



INCHES [MILLIMETERS]

ALTERNATE MATERIAL	PART NUMBER
.190 (3003) ALUMINUM ASTM B-209	4843
7 GA. (304) STAINLESS STEEL ASTM A-240	4873

PART NAME 1-1/4" PIPE SIZE TAPERED FLAT BASE FLANGE W/(2) HOLES & SET-SCREW				
MATERIAL 7 GA. HRP&D STEEL ASTM A-569				
DATE 3/21/95				
DRAWN BY RJF				
FINISH MILL	SIZE A	WEIGHT .36 LBS	PART NUMBER 4813	REV