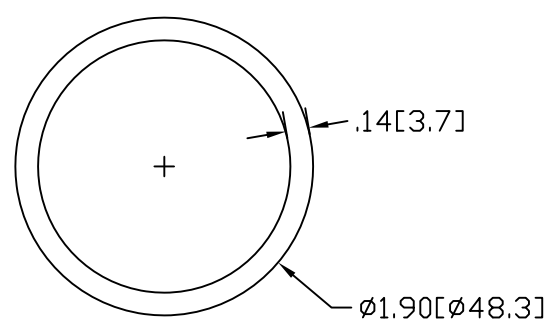
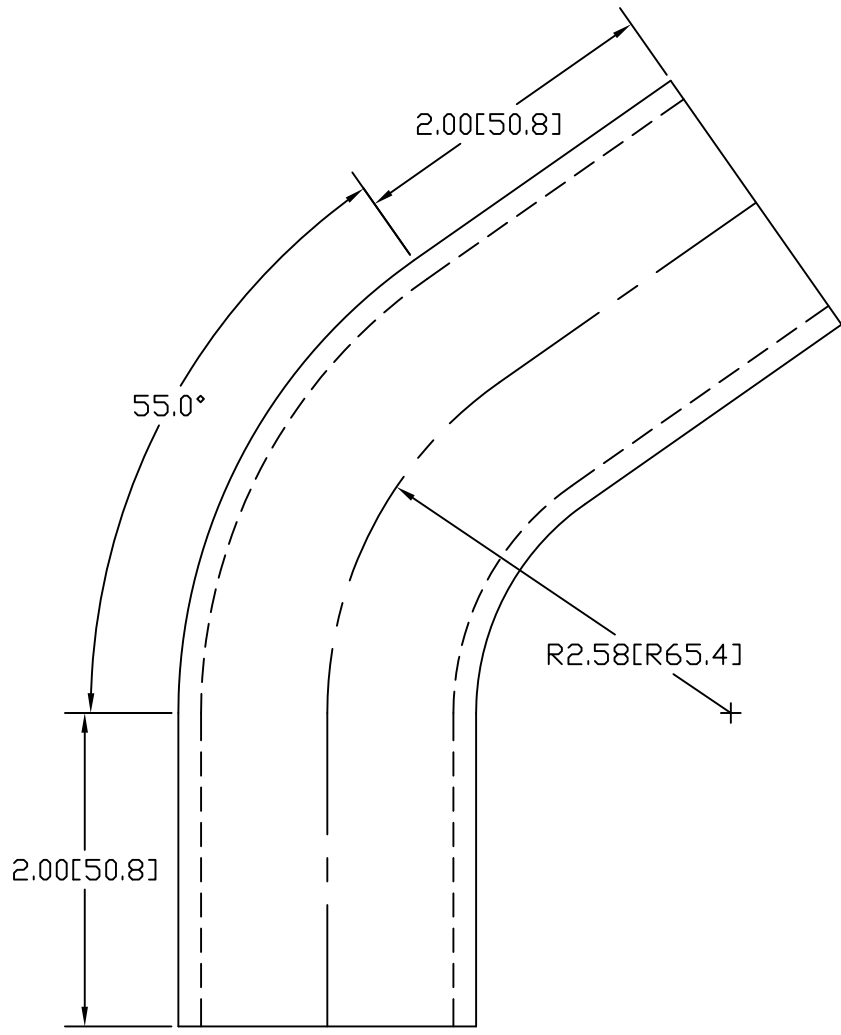



REV
SH
DWG NO 4732

REVISIONS			
REV	DESCRIPTION	DATE	APPROVED



INCHES [MILLIMETERS]

ALTERNATE MATERIAL	PART NUMBER
1-1/2" SCH 40 (6063) ALUMINUM PIPE	4737

PART NAME 1-1/2" PIPE SIZE 55° ELL X 1-5/8" I.R. W/(2) 2" TANGENTS				
MATERIAL 1-1/2" SCH 40 STEEL PIPE				
DATE 8/18/95	 R & B WAGNER, INC.			
DRAWN BY RJF				
FINISH MILL	SIZE A	WEIGHT .96 LBS	PART NUMBER 4732	REV