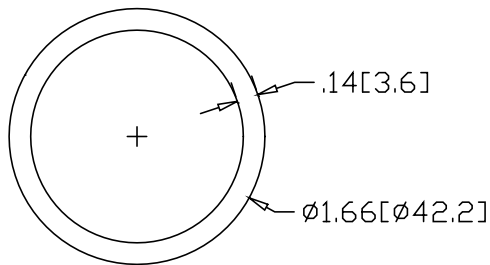
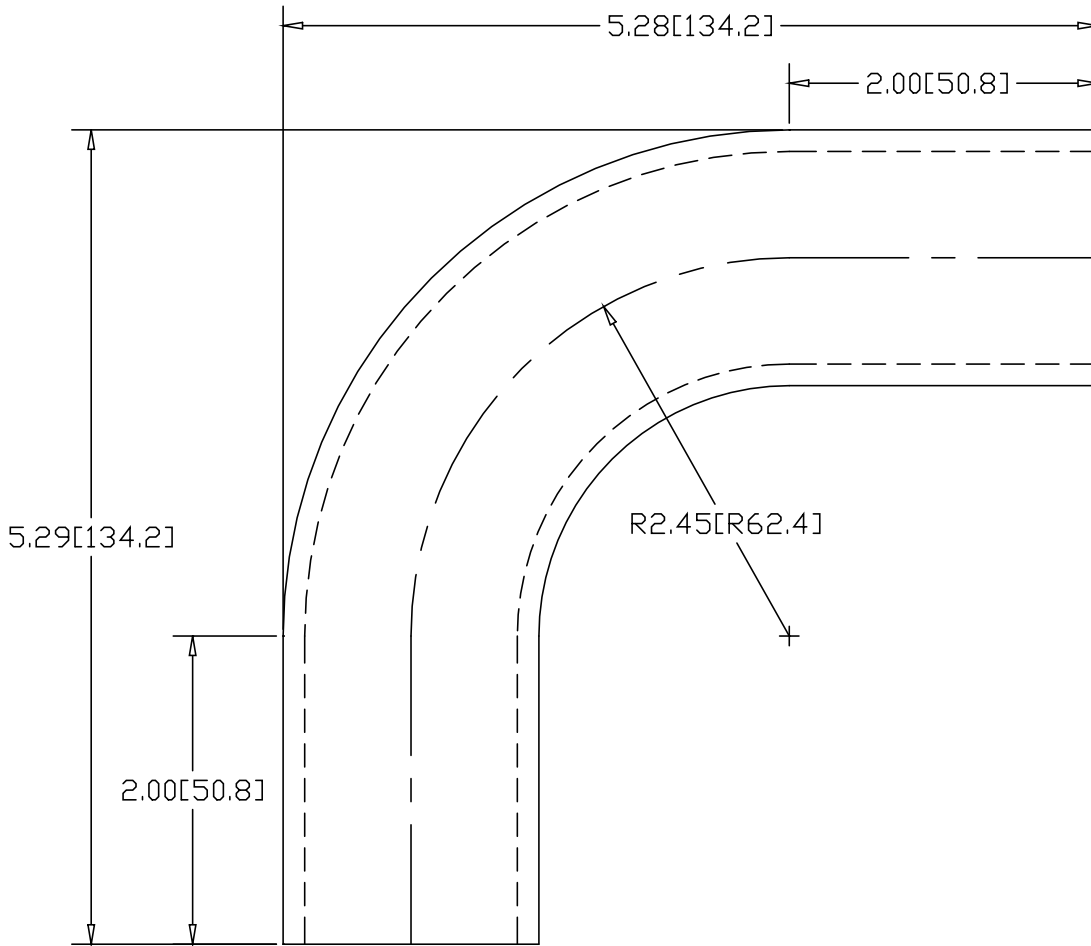



REV
SH
4723
DWG NO

REVISIONS			
REV	DESCRIPTION	DATE	APPROVED



INCHES [MILLIMETERS]

ALTERNATE MATERIAL	PART NUMBER
1-1/4" SCH 40 (6063) ALUMINUM PIPE	4728
1-1/4" SCH 40 (304) STAINLESS STEEL PIPE	4656

PART NAME 1-1/4" PIPE SIZE 90° ELL X 1-5/8" I.R. W/(2) 2" TANGENTS			
MATERIAL 1-1/4" SCH 40 STEEL PIPE			
DATE 8/18/95	 R & B WAGNER, INC.		
DRAWN BY RJF			
FINISH MILL	SIZE A	WEIGHT 1.42 LBS	PART NUMBER 4723
			REV