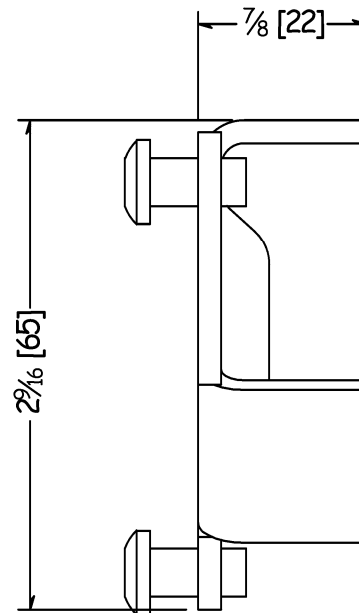
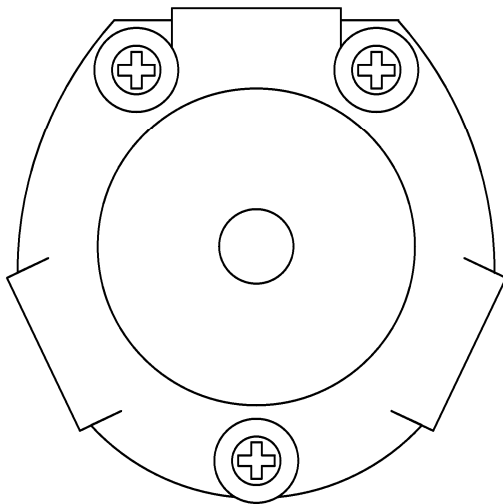
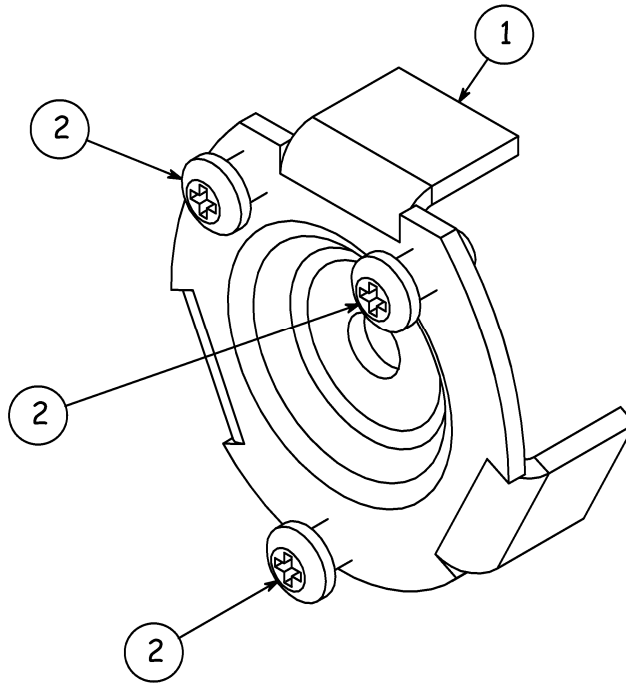



2

1

PARTS LIST

ITEM	QTY	PART NUMBER	DESCRIPTION
1	1	3530	BRACKET FILLER ST STYLE B 3HOLE .875 W/O SCREWS
2	3	4585	SCREW SS 1/4-20 X 0.50 PAN HEAD PHILLIPS DRIVE



TOLERANCE FRACTION: X/XX..... = ± 1/16" over 4ft. 16 FT RAIL EXAMPLE: 16 FT / 4 FT = 4 * 1/16" = 1/4" 16 FT RAIL..... = ± 1/4" DECIMAL: X.XX..... = ± .030 X.XXX..... = ± .010 UNLESS OTHERWISE NOTED	FINISH:	DESCRIPTION: HANDRAIL BRKT FILLER STEEL STYLE B 3 MTG HOLE W/ 1/4 SCREWS 5/8 DEEP KIT							
	#4	MATERIAL:	304 Stainless	CUSTOMER NAME:					
	WEIGHT:	N/A	DATE:	5/3/2013	 THE WAGNER COMPANIES R & B WAGNER, INC. AND J. G. BRAUN CO.				
	SIZE:	A	DRAWN BY:	R. Knepprath					
		ITEM NUMBER:	4579B	SHEET:	1 OF 1	DRAWING NUMBER:	4579B	REV:	1

2

1