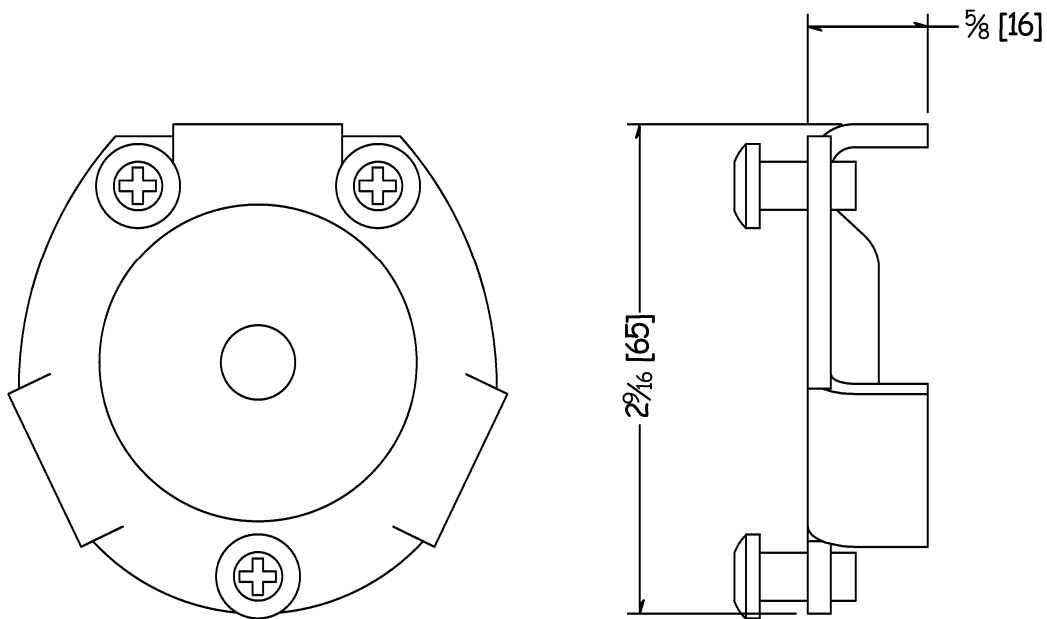
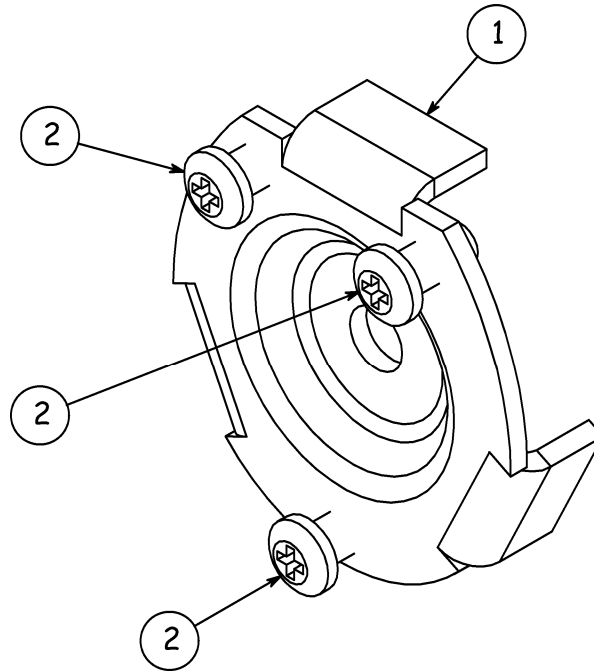


2



1

PARTS LIST			
ITEM	QTY	PART NUMBER	DESCRIPTION
1	1	3530B	BRACKET FILLER ST STYLE B 3HOLE .625 W/O SCREWS
2	3	4585	SCREW SS 1/4-20 X 0.50 PAN HEAD PHILLIPS DRIVE



TOLERANCE FRACTION: X/XX..... = ± 1/16" over 4ft. 16 FT RAIL EXAMPLE: 16 FT / 4 FT = 4 * 1/16" = 1/4" 16 FT RAIL..... = ± 1/4" DECIMAL: X.XX..... = ± .030 X.XXX..... = ± .010 UNLESS OTHERWISE NOTED	FINISH:	DESCRIPTION: HANDRAIL BRKT FILLER STEEL STYLE B 3 MTG HOLE W/ 1/4 SCREWS 5/8 DEEP KIT			
	MILL	MATERIAL:	STEEL		
	WEIGHT:	DATE:	5/3/2013		
	N/A	DRAWN BY:	R. Knepprath		
SIZE:	A	ITEM NUMBER:	4579	SHEET:	1 OF 1
			DRAWING NUMBER:		4579
			REV:		1

2



1