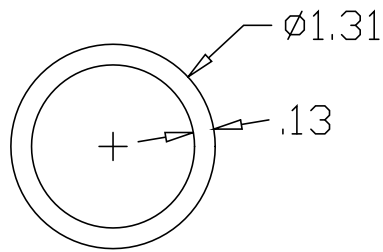
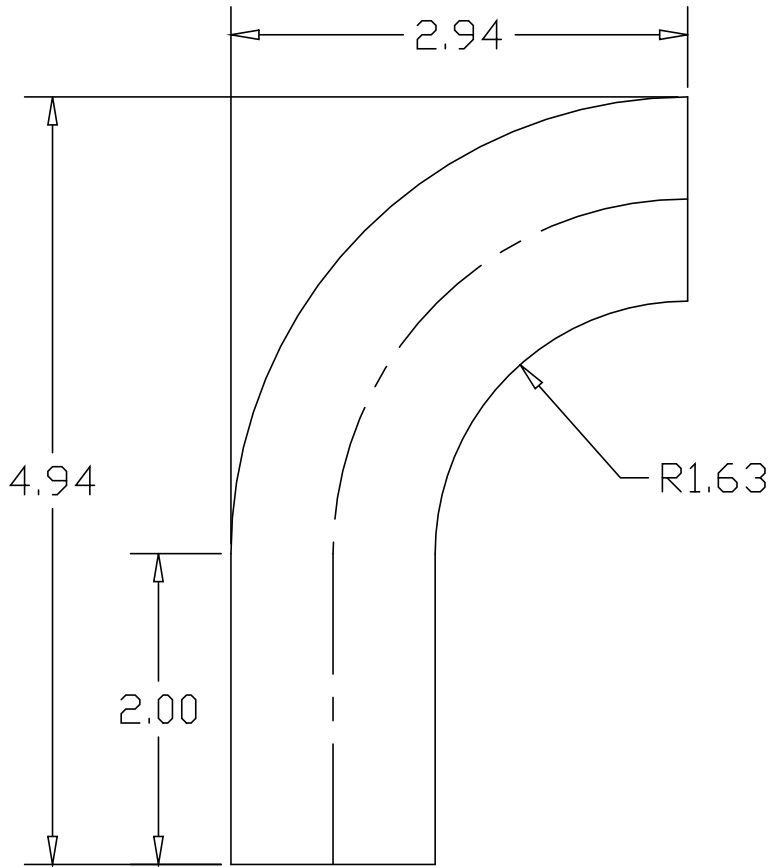



REV
SH
4522
DWG NO

REVISIONS			
REV	DESCRIPTION	DATE	APPROVED



PART NAME		1-5/8" I.R. PIPE ELL WITH (1) 2" TANGENT					
MATERIAL		1" SCH 40 (6063) ALUMINUM PIPE					
DATE	12/9/93	 THE WAGNER COMPANIES R & B WAGNER, INC. AND J. G. BRAUN CO.					
DRAWN BY	RJF						
FINISH	MILL						
SIZE	A	WEIGHT	.23 LBS	PART NUMBER	4522	REV	