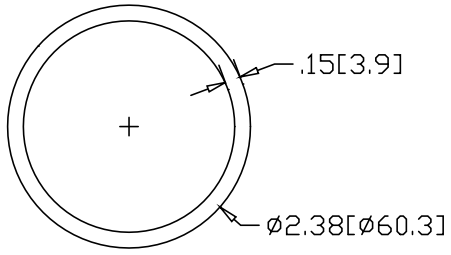
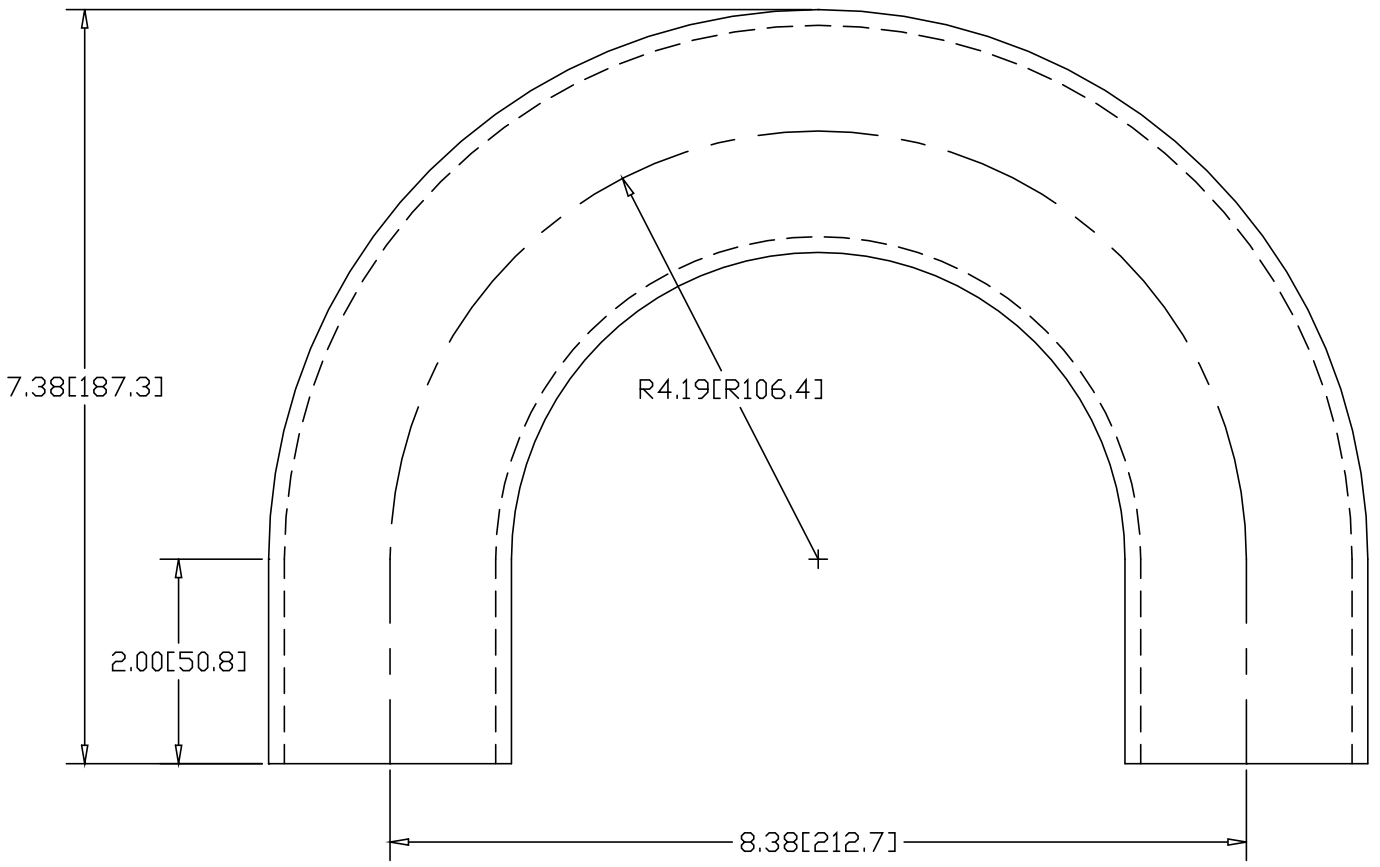



REV  
SH  
436  
DWG NO

REVISIONS			
REV	DESCRIPTION	DATE	APPROVED



INCHES [MILLIMETERS]

ALTERNATE MATERIAL	PART NUMBER
2" SCH 40 (6063) ALUMINUM PIPE	452
2" SCH 40 (304) STAINLESS STEEL PIPE	470

PART NAME		2" PIPE SIZE 180° X 3" I.R. ELL W/(2) 2" TANGENTS			
MATERIAL		2" SCH 40 STEEL PIPE			
DATE	9/14/95	 <b>R &amp; B WAGNER, INC.</b>			
DRAWN BY	RJF				
FINISH	MILL	SIZE	WEIGHT	PART NUMBER	REV
		A	5.22 LBS	436	