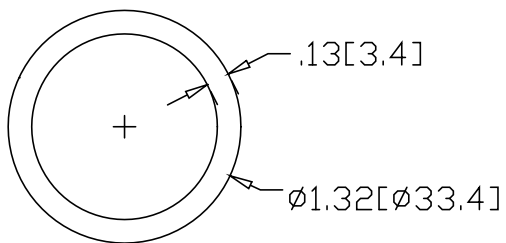
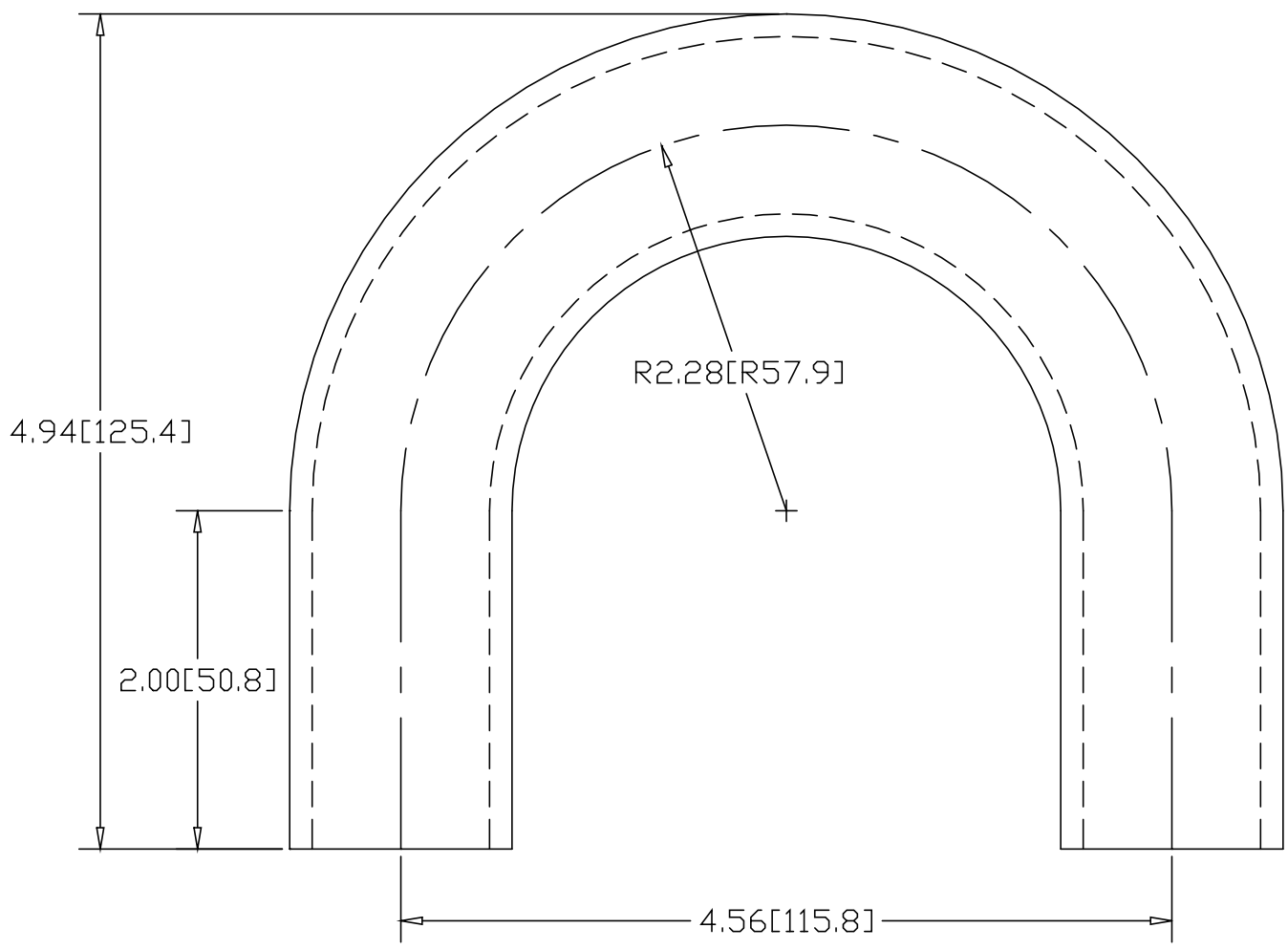



REV
SH
4514
DWG NO

REVISIONS			
REV	DESCRIPTION	DATE	APPROVED



INCHES [MILLIMETERS]

ALTERNATE MATERIAL	PART NUMBER
1" SCH 40 (6063) ALUMINUM PIPE	4528
1" SCH 40 (304) STAINLESS STEEL PIPE	4542

PART NAME 1" PIPE SIZE 180° ELL X 1-5/8" I.R. W/ (2) 2" TANGENTS			
MATERIAL 1" SCH 40 A53 STEEL PIPE			
DATE 8/18/95	 R & B WAGNER, INC.		
DRAWN BY RJF			
FINISH MILL	SIZE A	WEIGHT 1.50 LBS	PART NUMBER 4514
			REV