

REV

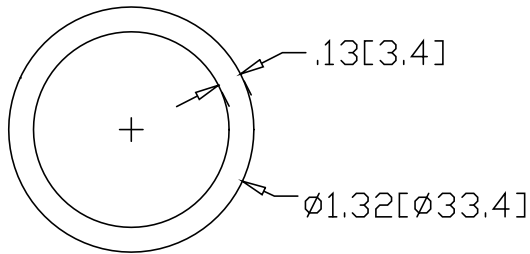
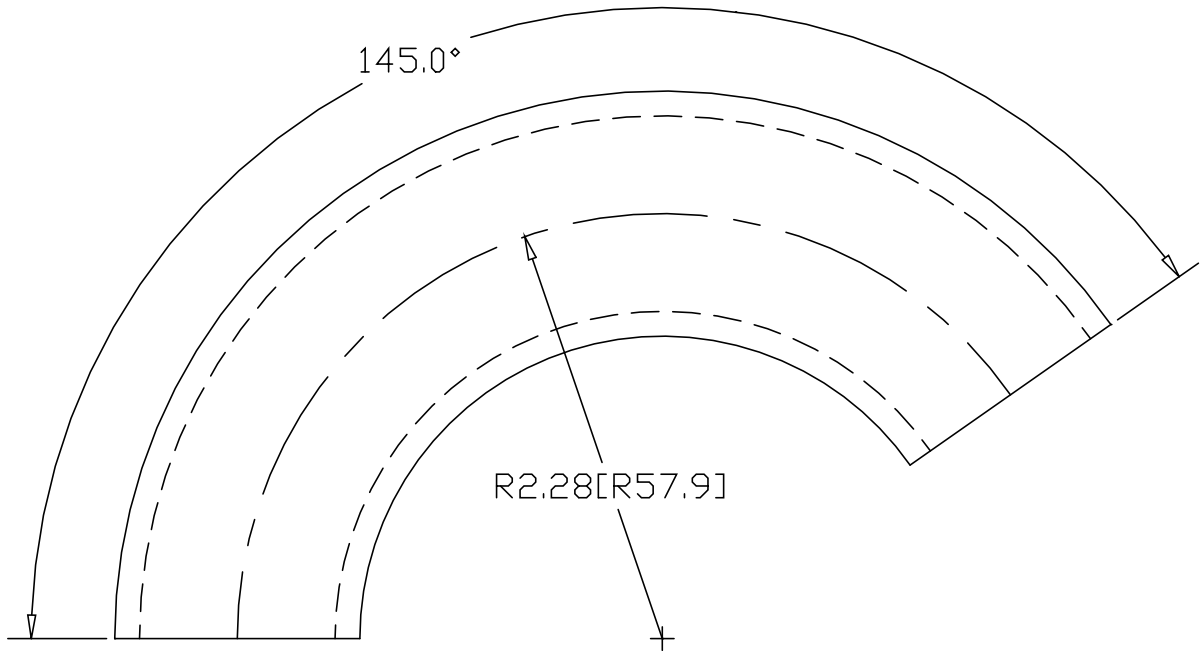
SH

DWG NO 4512

REV


REVISIONS

REV	DESCRIPTION	DATE	APPROVED
-----	-------------	------	----------



INCHES [MILLIMETERS]

ALTERNATE MATERIAL	PART NUMBER
1" SCH 40 (6063) ALUMINUM PIPE	4526
1" SCH 40 (304) STAINLESS STEEL PIPE	4540

PART NAME		1" PIPE SIZE 145° ELL X 1-5/8" I.R.			
MATERIAL		1" SCH 40 A53 STEEL PIPE			
DATE	8/18/95	 R & B WAGNER, INC.			
DRAWN BY	RJF				
FINISH	MILL	SIZE	WEIGHT	PART NUMBER	REV
		A	.8 LBS	4512	