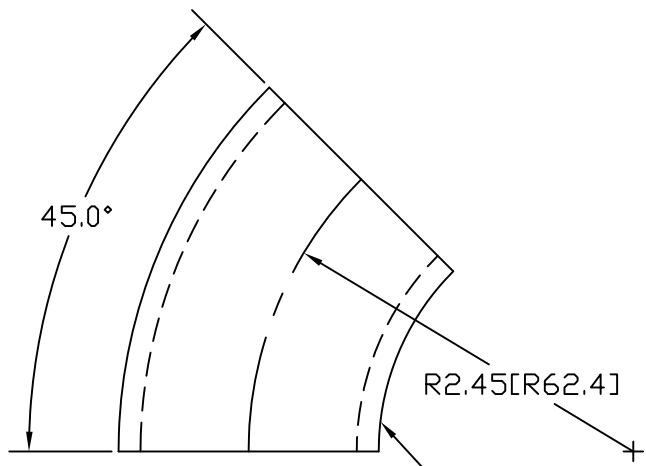
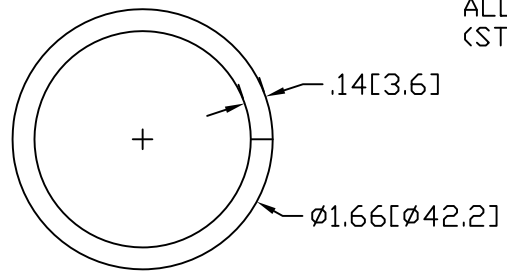


REV  
SH  
4432  
DWG NO

REVISIONS			
REV	DESCRIPTION	DATE	APPROVED




NOTE: UNWELDED SEAM  
ALONG INSIDE RADIUS  
(STEEL ELLS ONLY)



INCHES [MILLIMETERS]

ALTERNATE MATERIAL	PART NUMBER
1-1/4" SCH 40 (6063) ALUMINUM PIPE	4442
1-1/4" SCH 40 (304) STAINLESS STEEL PIPE	4652

PART NAME				1-1/4" PIPE SIZE 45° ELL X 1-5/8" I.R.	
MATERIAL				10 GA. HRP&D STEEL ASTM A569	
DATE	8/18/95			R & B WAGNER, INC.	
DRAWN BY	RJF				
FINISH	MILL	SIZE	A	WEIGHT	.36 LBS
			PART NUMBER	4432	
			REV		