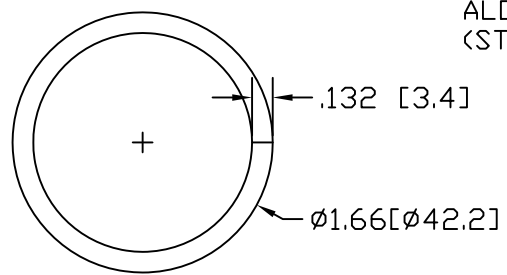
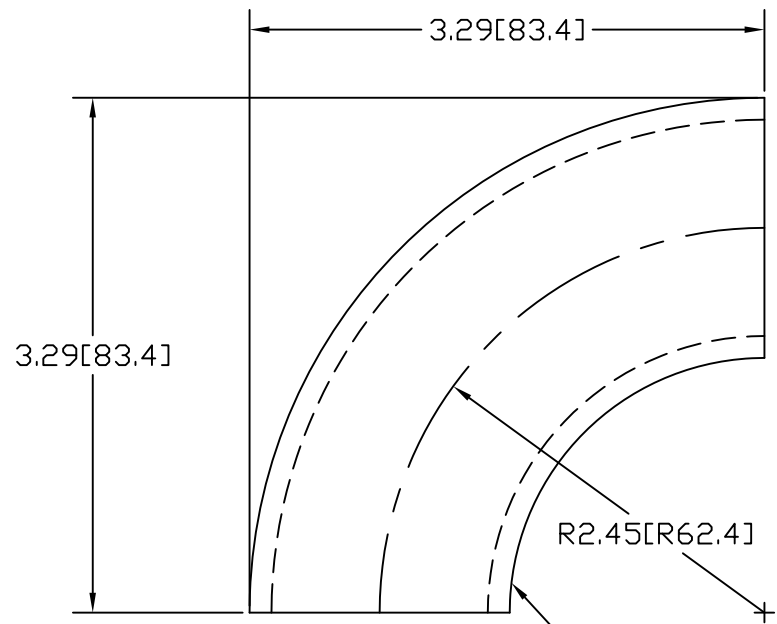


REV A
SH
4434
DWG NO


REVISIONS			
REV	DESCRIPTION	DATE	APPROVED
A	WALL THICKNESS .132 WAS .14	05/21/15	RJF



NOTE: UNWELDED SEAM
ALONG INSIDE RADIUS
(STEEL ELLS ONLY)

INCHES [MILLIMETERS]

ALTERNATE MATERIAL	PART NUMBER
1-1/4" SCH 40 (6063) ALUMINUM PIPE	4444

PART NAME		1-1/4" PIPE SIZE 90° ELL X 1-5/8" I.R.		
MATERIAL		10 GA. HRP&D STEEL ASTM A569		
DATE	8/18/95	 R & B WAGNER, INC.		
DRAWN BY	RJF			
FINISH	MILL	SIZE	WEIGHT	PART NUMBER
		A	.76 LBS	4434
				REV A