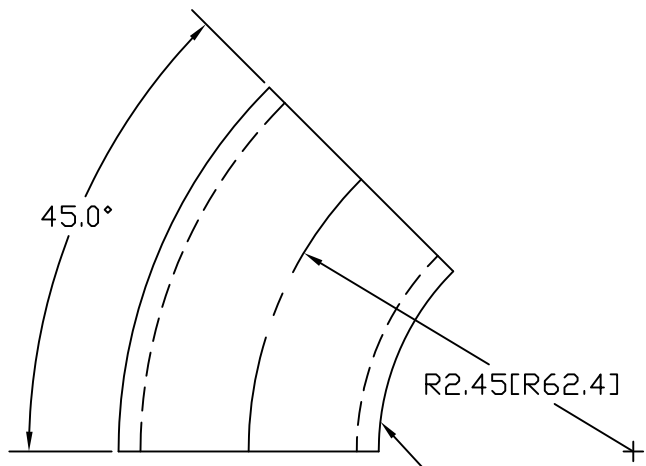
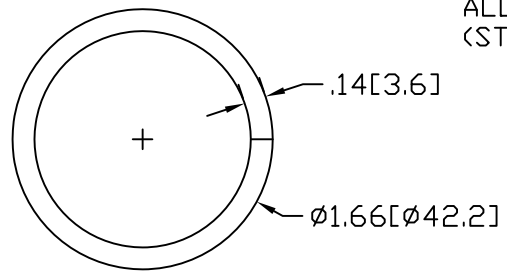


REV
SH
4432
DWG NO

REVISIONS			
REV	DESCRIPTION	DATE	APPROVED




NOTE: UNWELDED SEAM
ALONG INSIDE RADIUS
(STEEL ELLS ONLY)



INCHES [MILLIMETERS]

ALTERNATE MATERIAL	PART NUMBER
1-1/4" SCH 40 (6063) ALUMINUM PIPE	4442
1-1/4" SCH 40 (304) STAINLESS STEEL PIPE	4652

PART NAME		1-1/4" PIPE SIZE 45° ELL X 1-5/8" I.R.		
MATERIAL		10 GA. HRP&D STEEL ASTM A569		
DATE	8/18/95	 R & B WAGNER, INC.		
DRAWN BY	RJF			
FINISH	MILL	SIZE	WEIGHT	PART NUMBER
		A	.36 LBS	4432
				REV