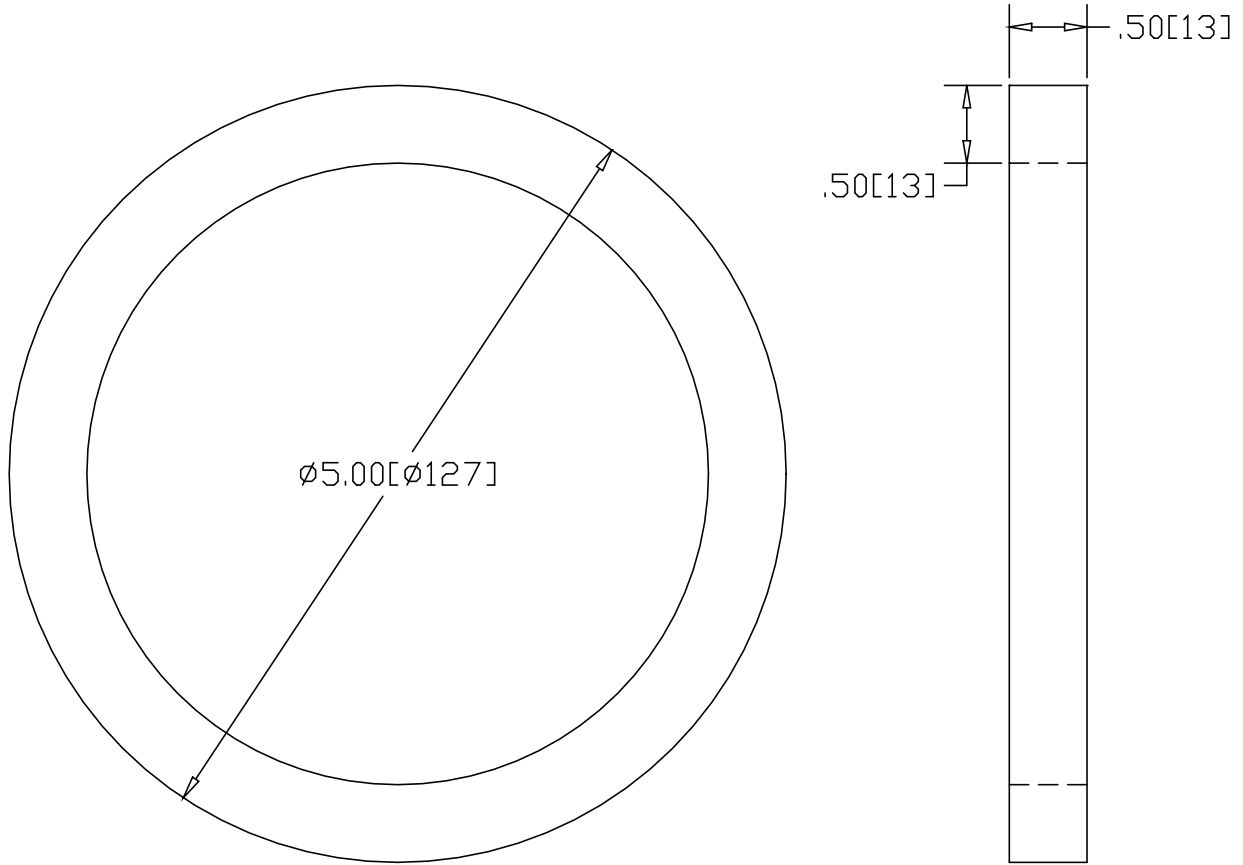



REV
SH
DWG NO 4388

REVISIONS			
REV	DESCRIPTION	DATE	APPROVED



INCHES [MILLIMETERS]

ALTERNATE MATERIAL	PART NUMBER
5.00" OD X .50 WALL (6063) ALUMINUM TUBE	4389

PART NAME		.50" SQUARE X 5.00" OUTSIDE DIAMETER RING	
MATERIAL		5.00" OD X .50 WALL STEEL TUBE	
DATE	7/3/96	 THE WAGNER COMPANIES R & B WAGNER, INC. AND J. G. BRAUN CO.	
DRAWN BY	RJF		
FINISH	SAWCUT TUMBLE DEBUR	SIZE	WEIGHT
		A	1.00 LBS
		PART NUMBER	4388
			REV