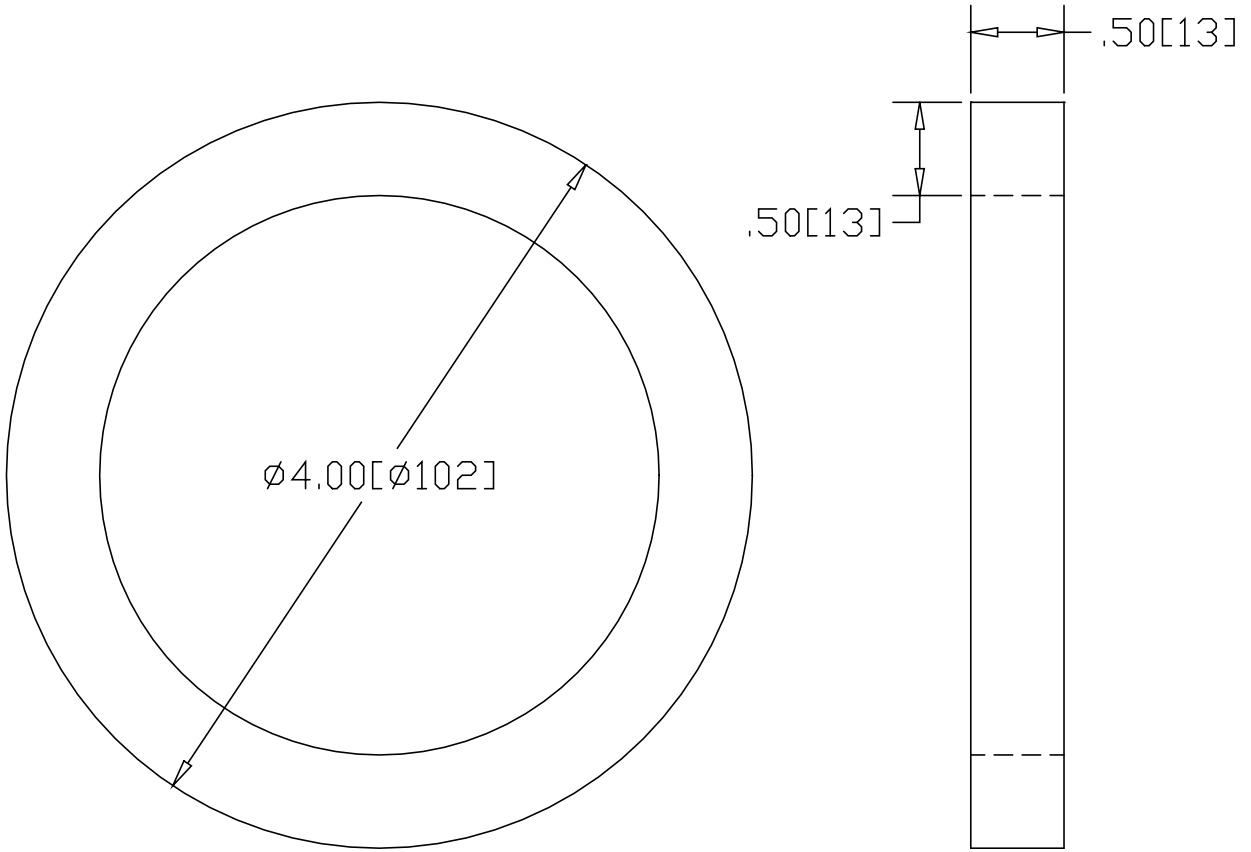



REV
SH
4386
DWG NO

REVISIONS			
REV	DESCRIPTION	DATE	APPROVED



INCHES [MILLIMETERS]

ALTERNATE MATERIAL	PART NUMBER
4.00" OD X .50 WALL (6063) ALUMINUM TUBE	4387

PART NAME .50" SQUARE X 4.00" OUTSIDE DIAMETER RING				
MATERIAL 4.00" OD X .50 WALL STEEL TUBE				
DATE 7/3/96		THE WAGNER COMPANIES R & B WAGNER, INC. AND J. G. BRAUN CO.		
DRAWN BY RJF				
FINISH SAWCUT TUMBLE DEBUR	SIZE A	WEIGHT .78 LBS	PART NUMBER 4386	REV