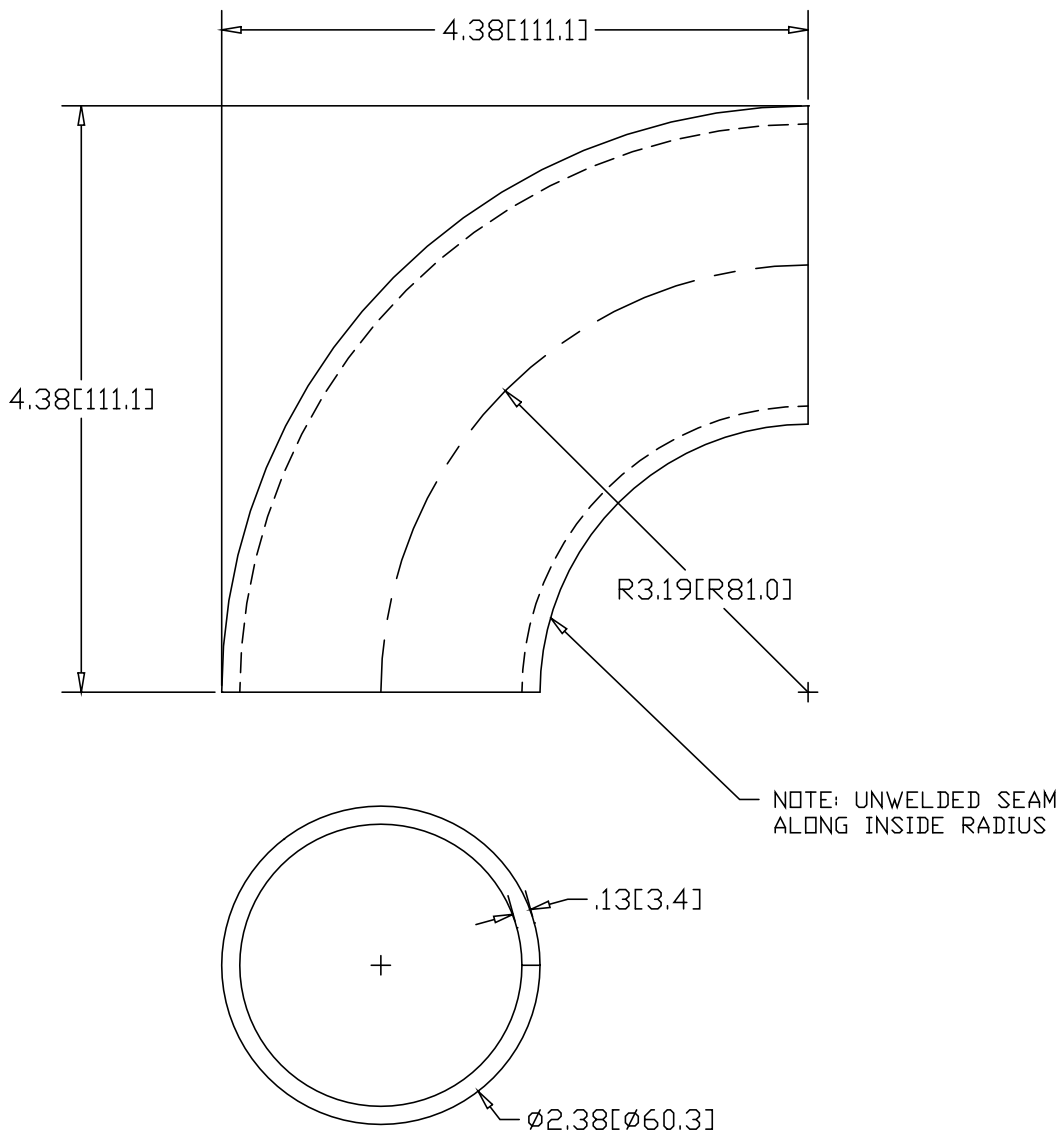



REV  
SH  
402  
DWG NO

REVISIONS			
REV	DESCRIPTION	DATE	APPROVED



INCHES [MILLIMETERS]

ALTERNATE MATERIAL	PART NUMBER
.125 (3003) ALUMINUM ASTM B209	418
10 GA. (304) STAINLESS STEEL ASTM A240	433

PART NAME		2" PIPE SIZE 90° ELL X 2" I.R.					
MATERIAL		10 GA. HRP&D STEEL ASTM A569					
DATE	8/24/95	 <b>R &amp; B WAGNER, INC.</b>					
DRAWN BY	RJF						
FINISH	MILL						
SIZE	A	WEIGHT	1.38 LBS	PART NUMBER	402	REV	