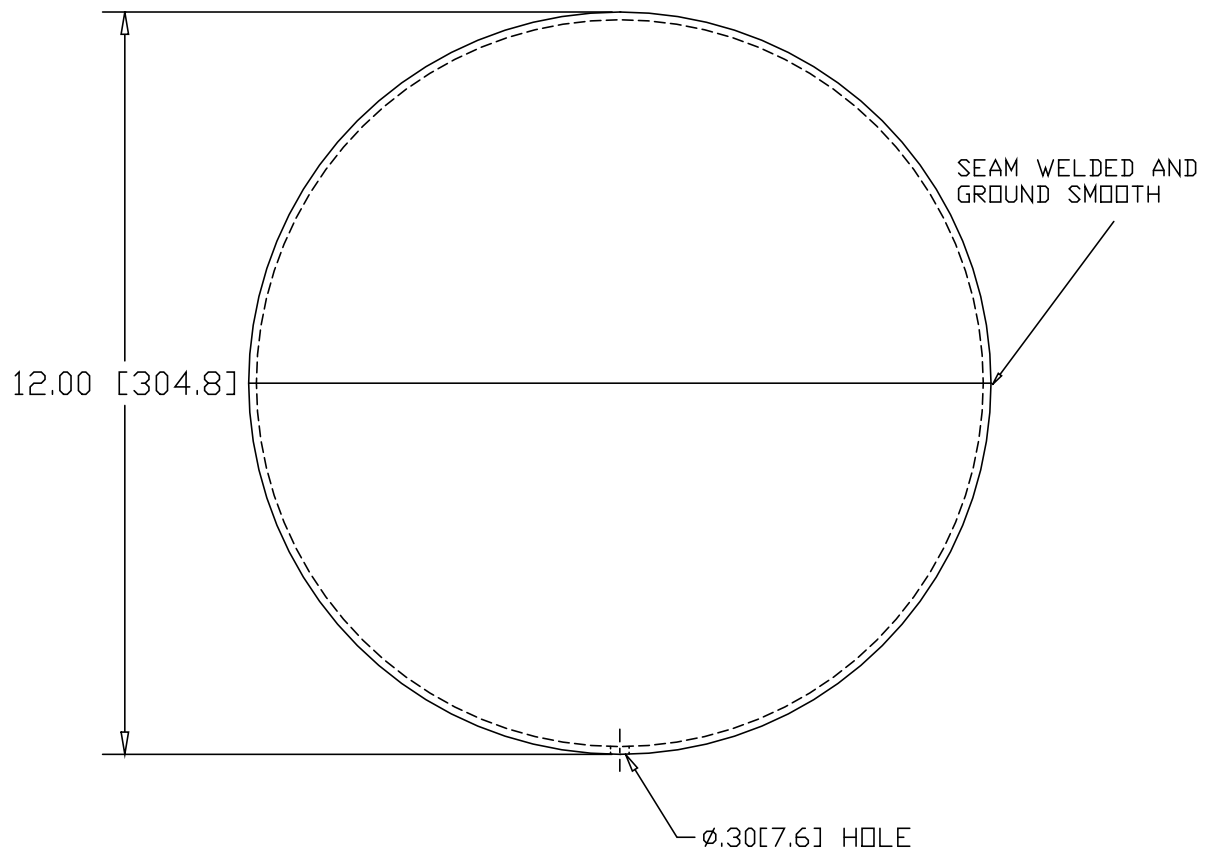



REV
SH
DWG NO 4190

REVISIONS			
REV	DESCRIPTION	DATE	APPROVED



INCHES [MILLIMETERS]

ALTERNATE MATERIAL	PART NUMBER
.125 (3003) ALUMINUM SHEET ASTM B209	4192
11 GA. (.1200) 304 STAINLESS STEEL A240	4194
.125 (260) BRASS	4196
.125 (655) SILICON BRONZE	SB4190

PART NAME		12.00" DIAMETER HOLLOW BALL					
MATERIAL		11 GA. (.1196) HRP&D STEEL SHEET ASTM A569					
DATE	1/4/00	 THE WAGNER COMPANIES R & B WAGNER, INC. AND J. G. BRAUN CO.					
DRAWN BY	RJF						
FINISH	MILL						
SIZE	A	WEIGHT	16.1 LBS	PART NUMBER	4190	REV	