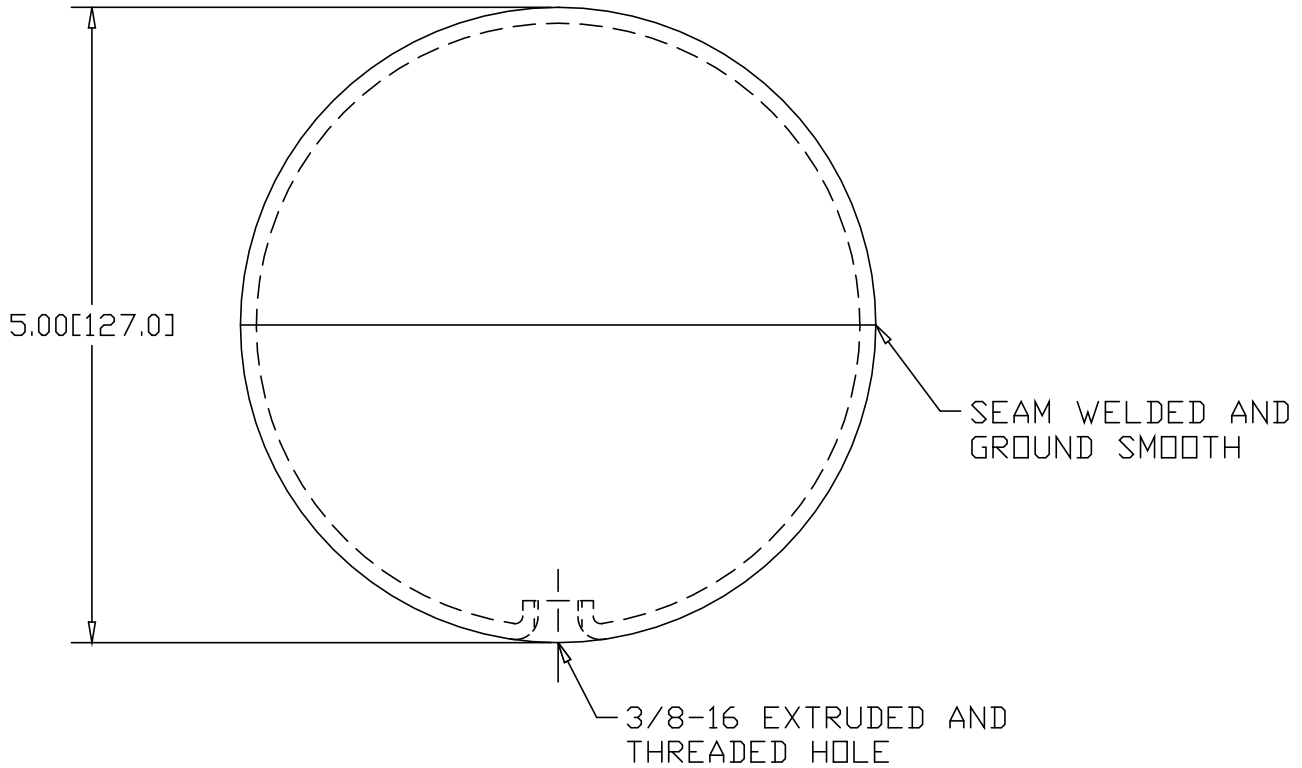



REV
SH
DWG NO 4160H

REVISIONS			
REV	DESCRIPTION	DATE	APPROVED



INCHES [MILLIMETERS]

ALTERNATE MATERIAL	PART NUMBER
.125 (.3003) ALUMINUM SHEET ASTM B209	4162H
11 GA. (.1200) 304 STAINLESS STEEL A240	4164H
.125 (.260) BRASS	4166H
.125 (.655) SILICON BRONZE	SB4160H

PART NAME		5.00" DIAMETER HOLLOW BALL WITH 3/8-16 TAPPED HOLE		
MATERIAL		11 GA. (.1196) HRP&D STEEL SHEET ASTM A569		
DATE	1/4/00	 THE WAGNER COMPANIES R & B WAGNER, INC. AND J. G. BRAUN CO.		
DRAWN BY	RJF			
FINISH	MILL			
SIZE	WEIGHT	PART NUMBER	REV	
A	2.16 LBS	4160H		