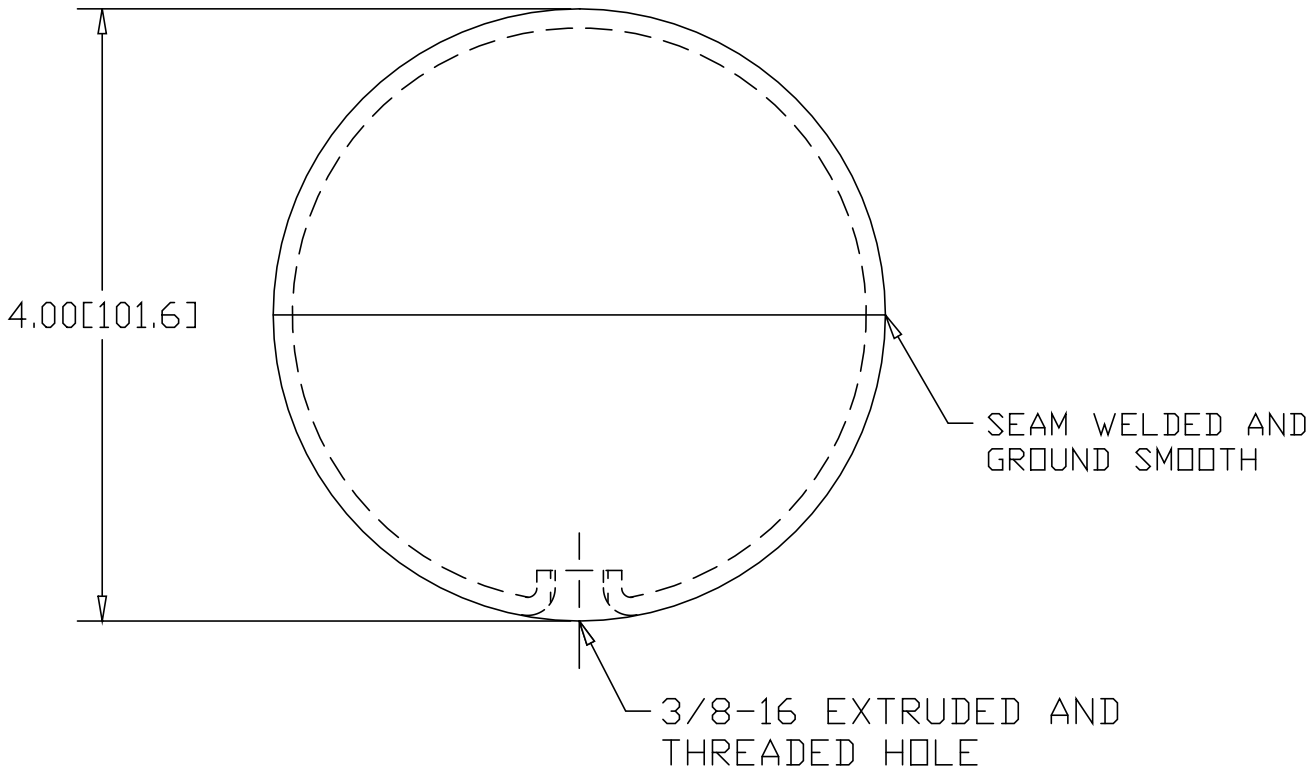



REV
SH
DWG NO 4150H

REVISIONS			
REV	DESCRIPTION	DATE	APPROVED



INCHES [MILLIMETERS]

ALTERNATE MATERIAL	PART NUMBER
.125 (3003) ALUMINUM SHEET ASTM B209	4152H
11 GA. (.1200) 304 STAINLESS STEEL A240	4154H
.125 (260) BRASS	4156H
.125 (655) SILICON BRONZE	SB4150H

PART NAME 4" DIAMETER HOLLOW BALL WITH 3/8-16 TAPPED HOLE			
MATERIAL 11 GA. (.1196) HRP&D STEEL SHEET ASTM A569			
DATE 1/4/00		THE WAGNER COMPANIES R & B WAGNER, INC. AND J. G. BRAUN CO.	
DRAWN BY RJF			
FINISH MILL			
SIZE A	WEIGHT 1.44 LBS	PART NUMBER 4150H	REV