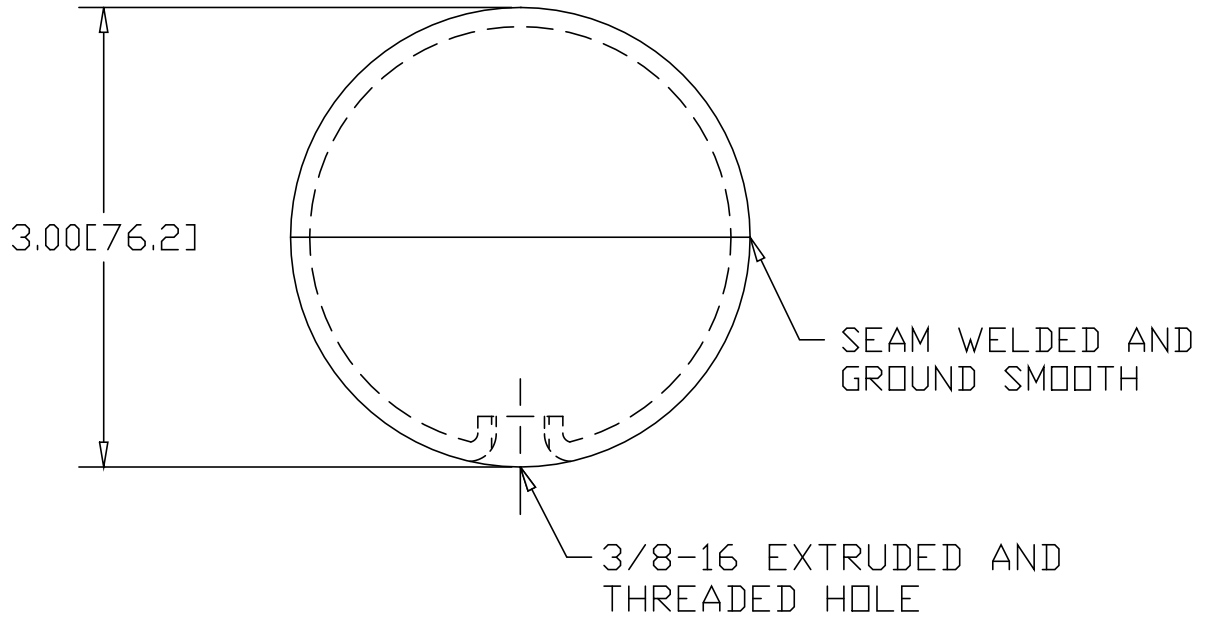



REV
SH
DWG NO 4130H

REVISIONS			
REV	DESCRIPTION	DATE	APPROVED



INCHES [MILLIMETERS]

ALTERNATE MATERIAL	PART NUMBER
.125 (.3003) ALUMINUM SHEET ASTM B209	4132H
11 GA. (.1200) 304 STAINLESS STEEL A240	4134H
.125 (.260) BRASS	4136H
.125 (.655) SILICON BRONZE	SB4130H

PART NAME 3.00" DIAMETER HOLLOW BALL WITH 3/8-16 TAPPED HOLE			
MATERIAL 11 GA. (.1196) HRP&D STEEL SHEET ASTM A569			
DATE 1/4/00	 THE WAGNER COMPANIES R & B WAGNER, INC. AND J. G. BRAUN CO.		
DRAWN BY RJF			
FINISH MILL		SIZE A	WEIGHT .78 LBS
			REV