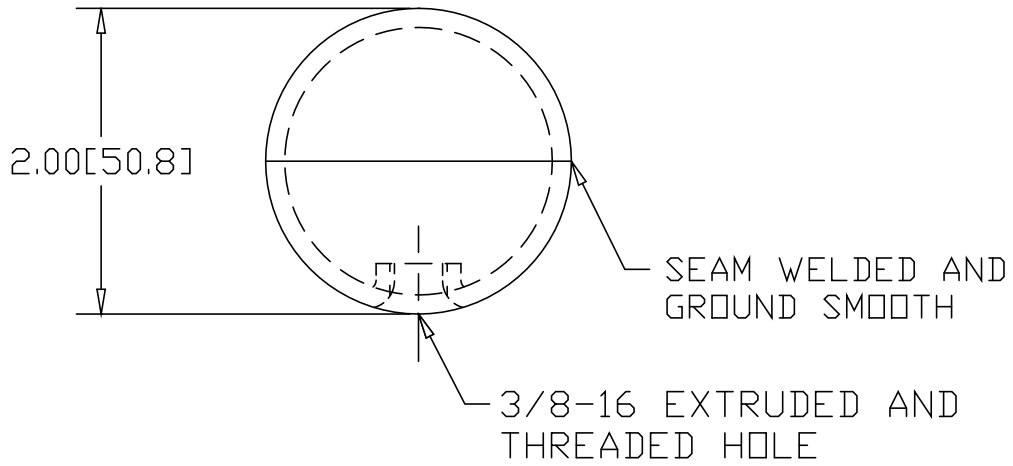



REV
SH
4110H
DWG NO

REVISIONS			
REV	DESCRIPTION	DATE	APPROVED



INCHES [MILLIMETERS]

ALTERNATE MATERIAL	PART NUMBER
.125 (3003) ALUMINUM SHEET ASTM B209	4112H
11 GA. (.1200) 304 STAINLESS STEEL A240	4114H
.125 (260) BRASS	4116H
.125 (655) SILICON BRONZE	SB4110H

PART NAME 2.00" DIAMETER HOLLOW BALL WITH 3/8-16 TAPPED HOLE							
MATERIAL 11 GA. (.1196) HRP&D STEEL SHEET ASTM A569							
DATE	1/4/00	 THE WAGNER COMPANIES R & B WAGNER, INC. AND J. G. BRAUN CO.					
DRAWN BY	RJF						
FINISH	MILL						
SIZE	A	WEIGHT	.32 LBS	PART NUMBER	4110H	REV	