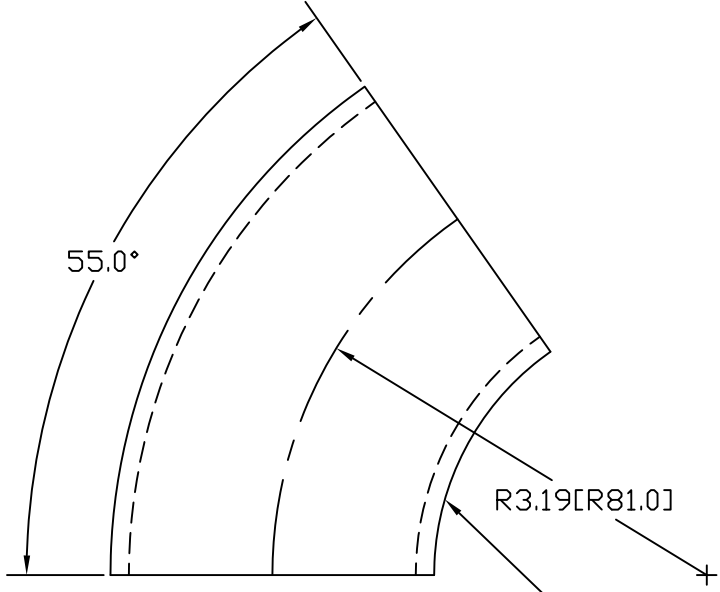
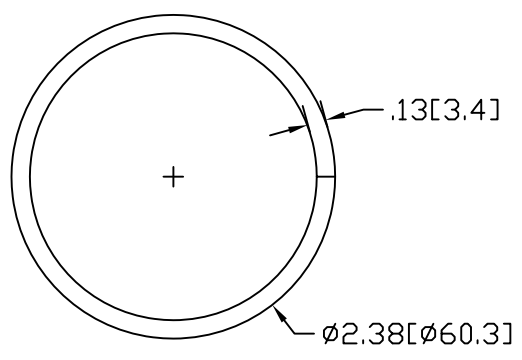


REV
SH
400
DWG NO

REVISIONS			
REV	DESCRIPTION	DATE	APPROVED




NOTE: UNWELDED SEAM ALONG INSIDE RADIUS



INCHES [MILLIMETERS]

ALTERNATE MATERIAL	PART NUMBER
.125 (3003) ALUMINUM ASTM B209	414
10 GA. (304) STAINLESS STEEL ASTM A240	431

PART NAME		2" PIPE SIZE 55° ELL X 2" I.R.			
MATERIAL		10 GA. HRP&D STEEL ASTM A569			
DATE	8/24/95	 R & B WAGNER, INC.			
DRAWN BY	RJF				
FINISH	MILL	SIZE	WEIGHT	PART NUMBER	REV
		A	.86 LBS	400	