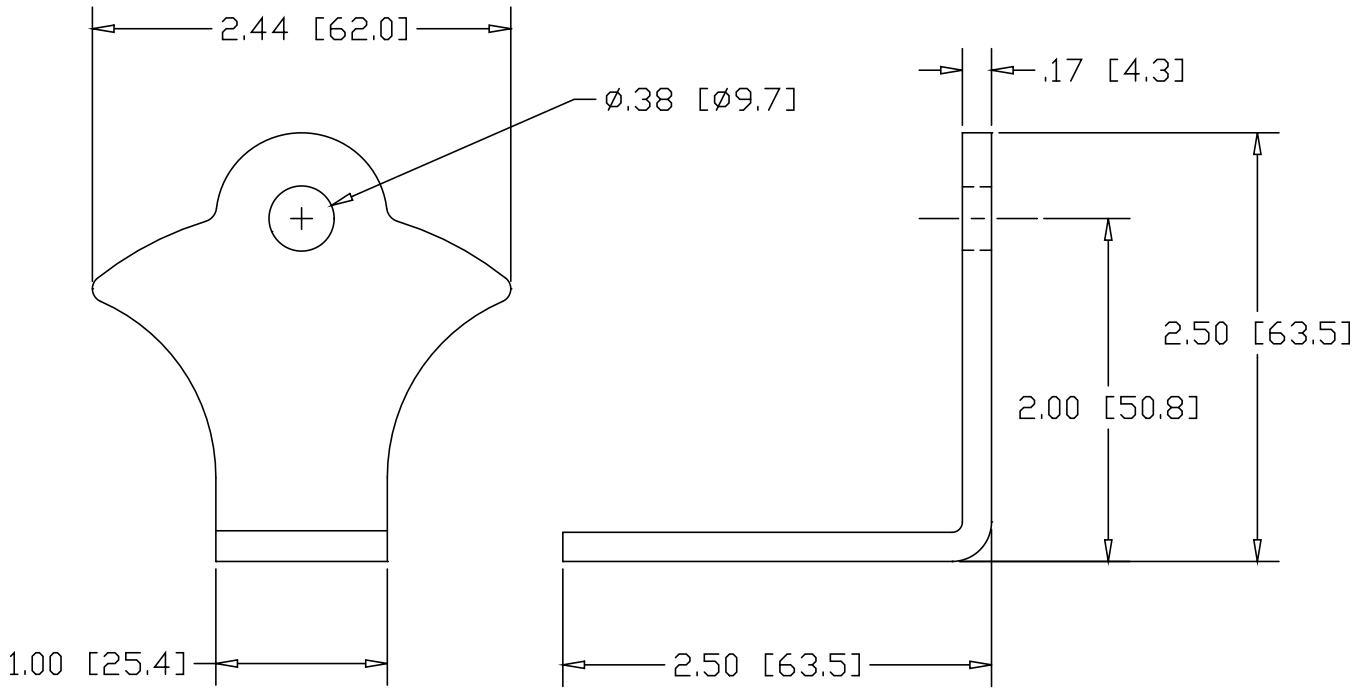



REV  
SH  
40  
DWG NO

REVISIONS			
REV	DESCRIPTION	DATE	APPROVED



INCHES [MILLIMETERS]

PART NAME		FLEUR DE LIS MOUNT					
MATERIAL		8 GA. HRP&D STEEL ASTM A569					
DATE	8/15/03		<b>THE WAGNER COMPANIES</b> R & B WAGNER, INC. AND J. G. BRAUN CO.				
DRAWN BY	RJF						
FINISH	MILL						
SIZE	A	WEIGHT	.257 LBS	PART NUMBER	40	REV	

