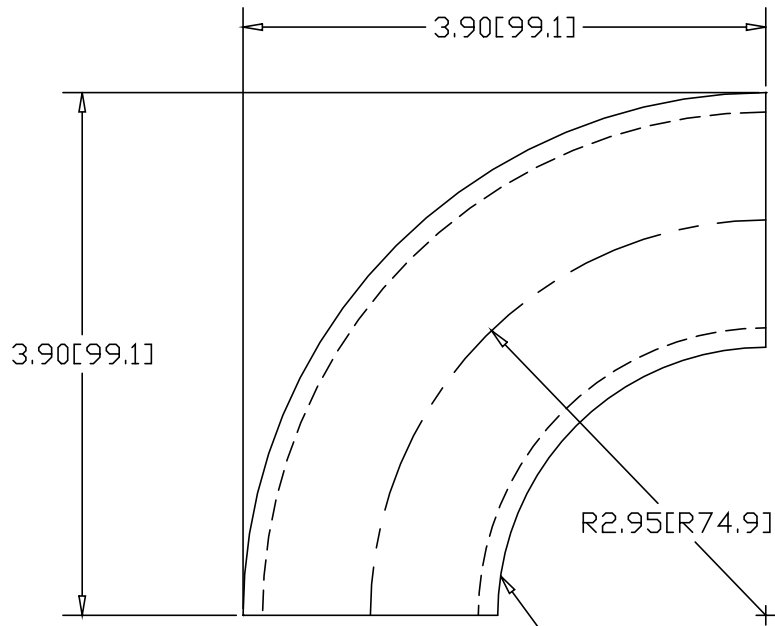
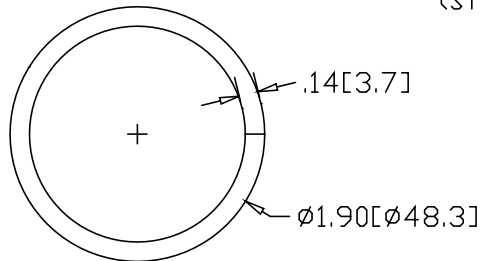


REV
SH
340
DWG NO

REVISIONS			
REV	DESCRIPTION	DATE	APPROVED




NOTE: UNWELDED SEAM
ALONG INSIDE RADIUS
(STEEL ELLS ONLY)



INCHES [MILLIMETERS]

ALTERNATE MATERIAL	PART NUMBER
1-1/2" SCH 40 (6063) ALUMINUM PIPE	364
1-1/2" SCH 40 (304) STAINLESS STEEL PIPE	389

PART NAME				1-1/2" PIPE SIZE 90° ELL X 2" I.R.			
MATERIAL				10 GA. HRP&D STEEL ASTM A569			
DATE	8/24/95	 R & B WAGNER, INC.					
DRAWN BY	RJF						
FINISH	MILL						
SIZE	A	WEIGHT	.96 LBS	PART NUMBER	340	REV	