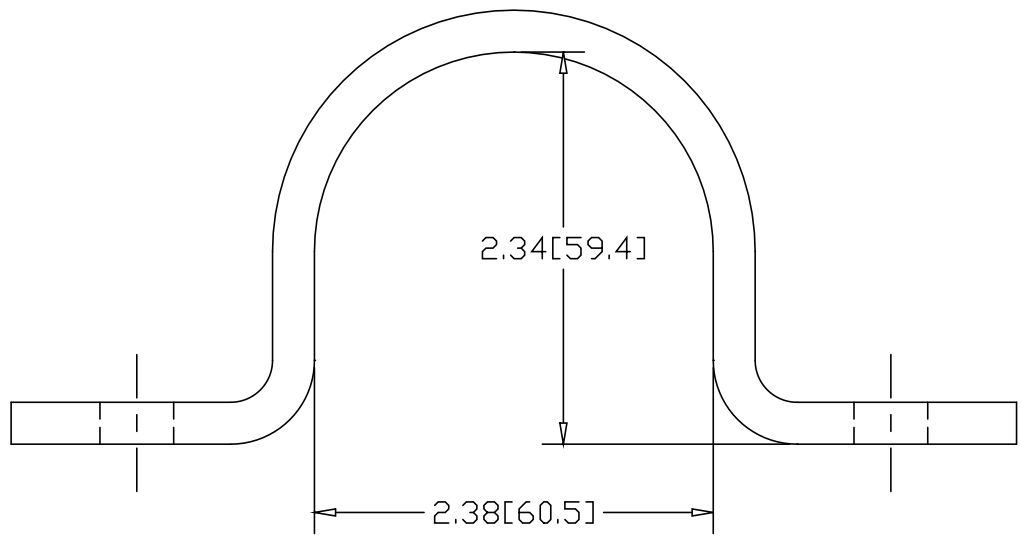
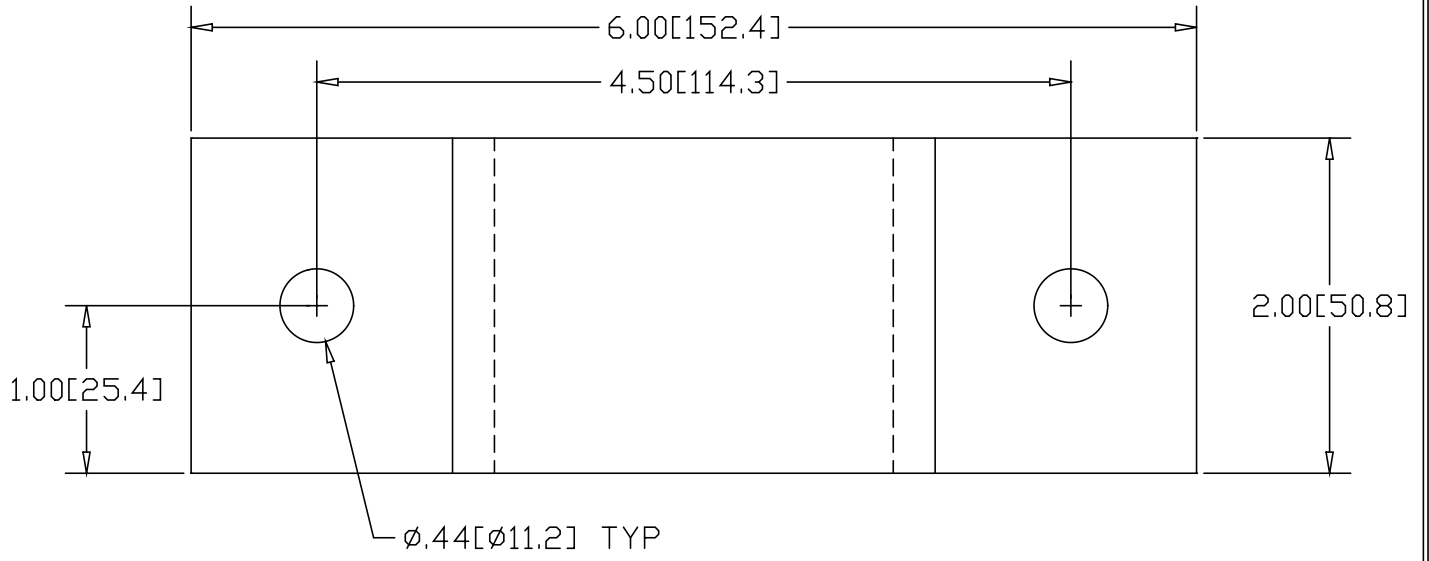


REV
SH
3754
DWG NO

REVISIONS			
REV	DESCRIPTION	DATE	APPROVED



INCHES [MILLIMETERS]

ALTERNATE MATERIAL	PART NUMBER
.250 (3003) ALUMINUM ASTM B209	3760
7 GA. (304) STAINLESS STEEL ASTM A240	3766-SS

PART NAME 2" PIPE (2.38" OD) X 2" WIDE U-BRACKET W/(2) HOLES				
MATERIAL .250 HRP&O STEEL ASTM A569				
DATE 1/13/00		THE WAGNER COMPANIES R & B WAGNER, INC. AND J. G. BRAUN CO.		
DRAWN BY RJF				
FINISH MILL	SIZE A	WEIGHT 1.19 LBS	PART NUMBER 3754	REV