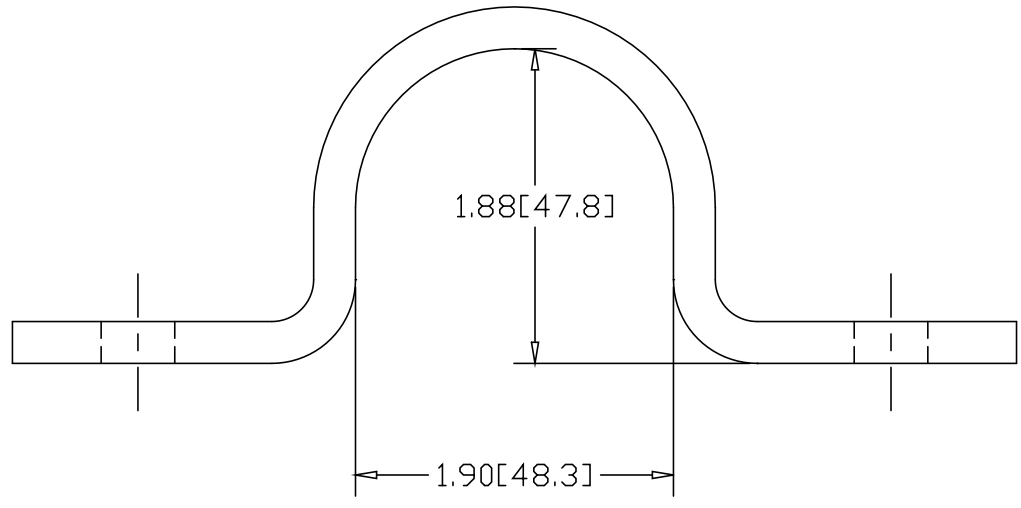
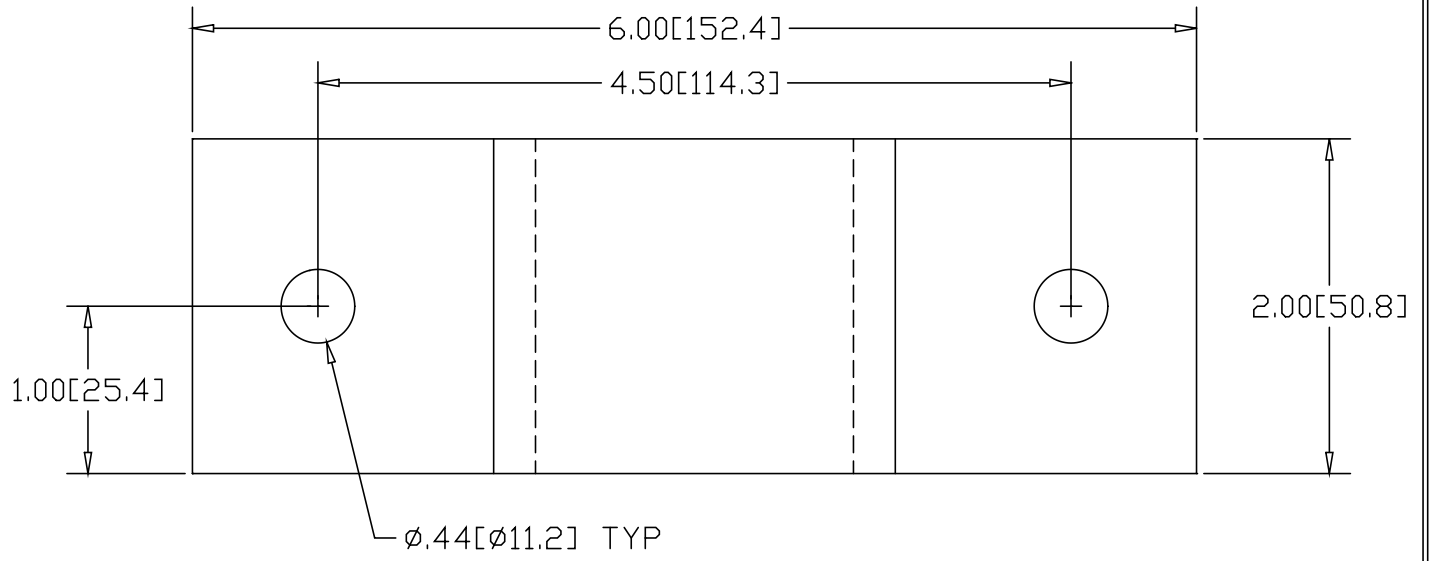



REV
SH
3752
DWG NO

REVISIONS			
REV	DESCRIPTION	DATE	APPROVED



INCHES [MILLIMETERS]

ALTERNATE MATERIAL		PART NUMBER	
.250 (3003) ALUMINUM ASTM B209		3758	
7 GA. (304) STAINLESS STEEL ASTM A240		3764-SS	
PART NAME 1-1/2" PIPE (1.90" OD) X 2" WIDE U-BRACKET W/(2) HOLES			
MATERIAL .250 HRP&D STEEL ASTM A569			
DATE	1/13/00	 THE WAGNER COMPANIES R & B WAGNER, INC. AND J. G. BRAUN CO.	
DRAWN BY	RJF		
FINISH	MILL		
SIZE	A	WEIGHT	1.10 LBS
PART NUMBER		3752	
REV			