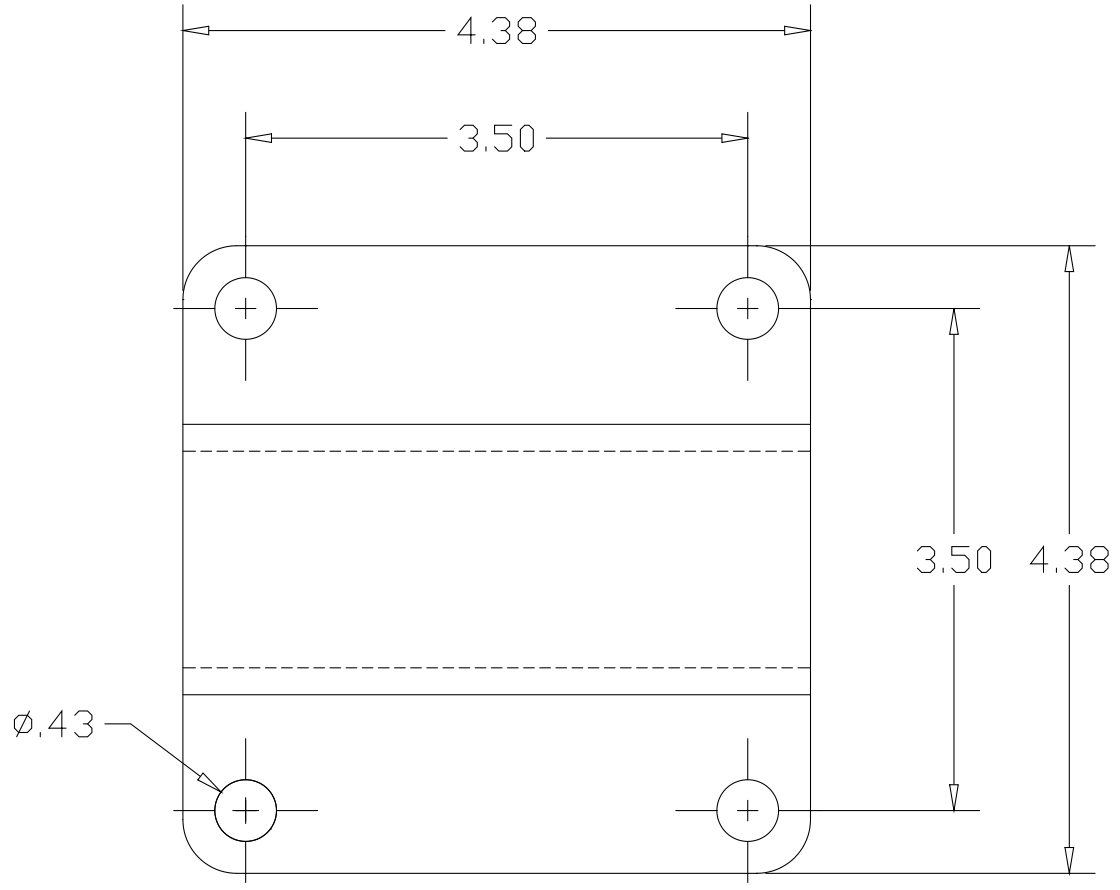
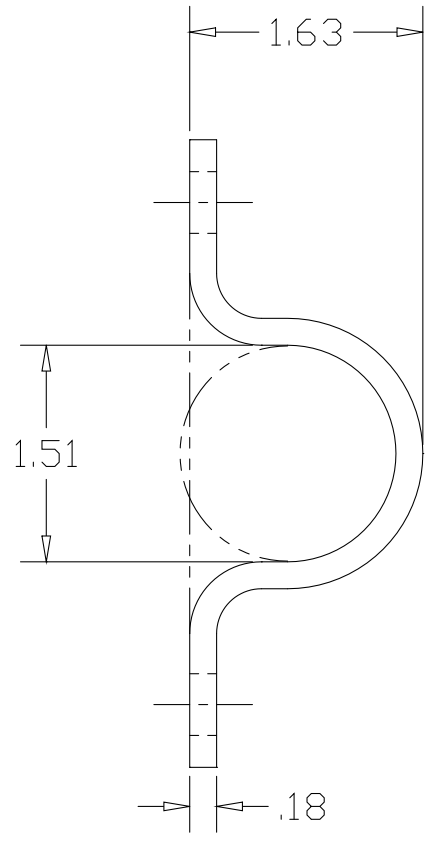



REVISIONS			
REV	DESCRIPTION	DATE	APPROVED



PART NAME		1-1/2"O.D. TUBE FACIA POST BRACKET		
MATERIAL		3/16" TYPE 3003 ALUMINUM ASTM B-209		
DATE	8/16/94	 THE WAGNER COMPANIES R & B WAGNER, INC. AND J. G. BRAUN CO.		
DRAWN BY	RJF			
FINISH	MILL			
SIZE	WEIGHT	PART NUMBER	REV	
A	.36 LBS	3726A		