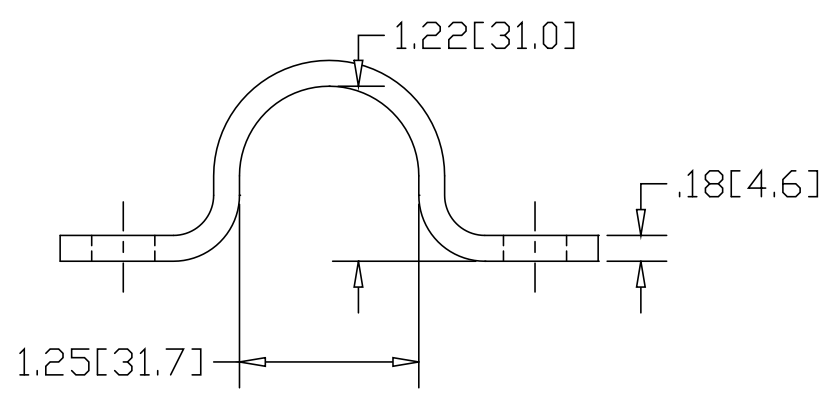
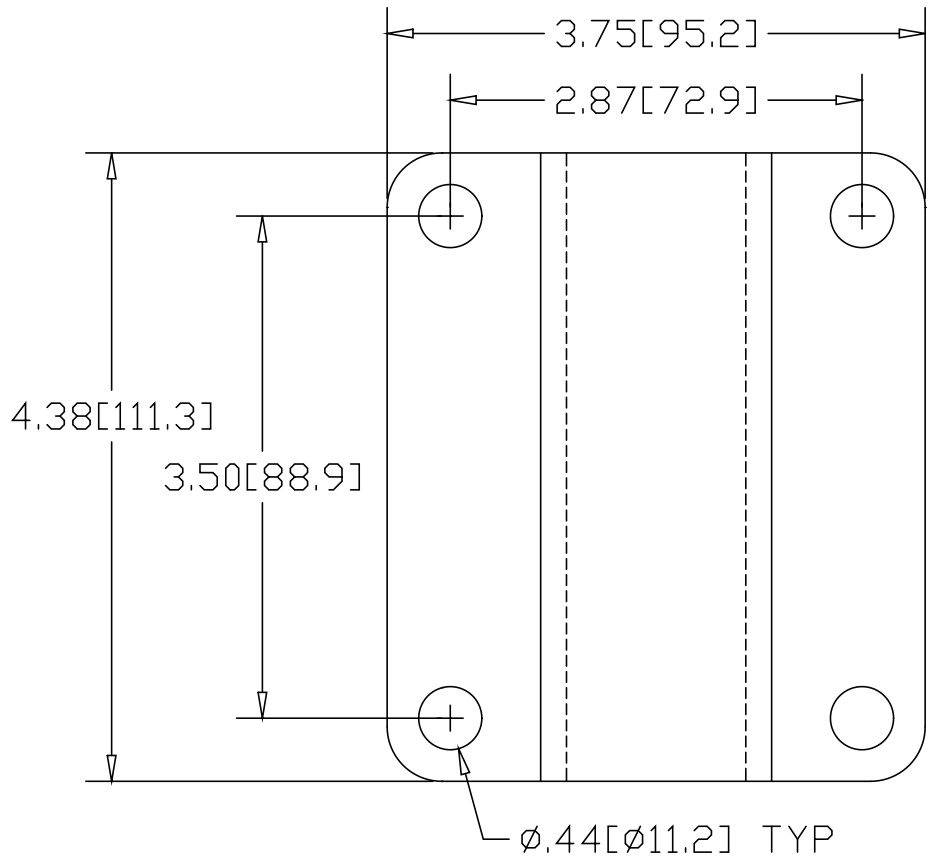



REV
SH
3725
DWG NO

REVISIONS			
REV	DESCRIPTION	DATE	APPROVED



INCHES [MILLIMETERS]

ALTERNATE MATERIAL	PART NUMBER
.190 (3003) ALUMINUM ASTM B209	3725A
7 GA. (304) STAINLESS STEEL ASTM A240	3725-SS

PART NAME 1.25" OD TUBE X 4.38" WIDE U-BRACKET W/(ϕ) HOLES			
MATERIAL 7 GA. HRP&D STEEL ASTM A569			
DATE 02/11/00	 THE WAGNER COMPANIES R & B WAGNER, INC. AND J. G. BRAUN CO.		
DRAWN BY RJF		SIZE A	WEIGHT 1.09 LBS
FINISH MILL			REV