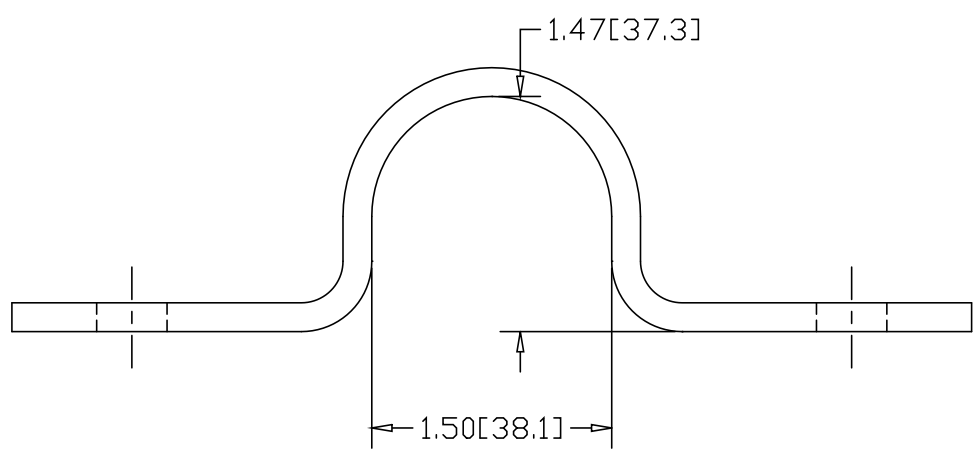
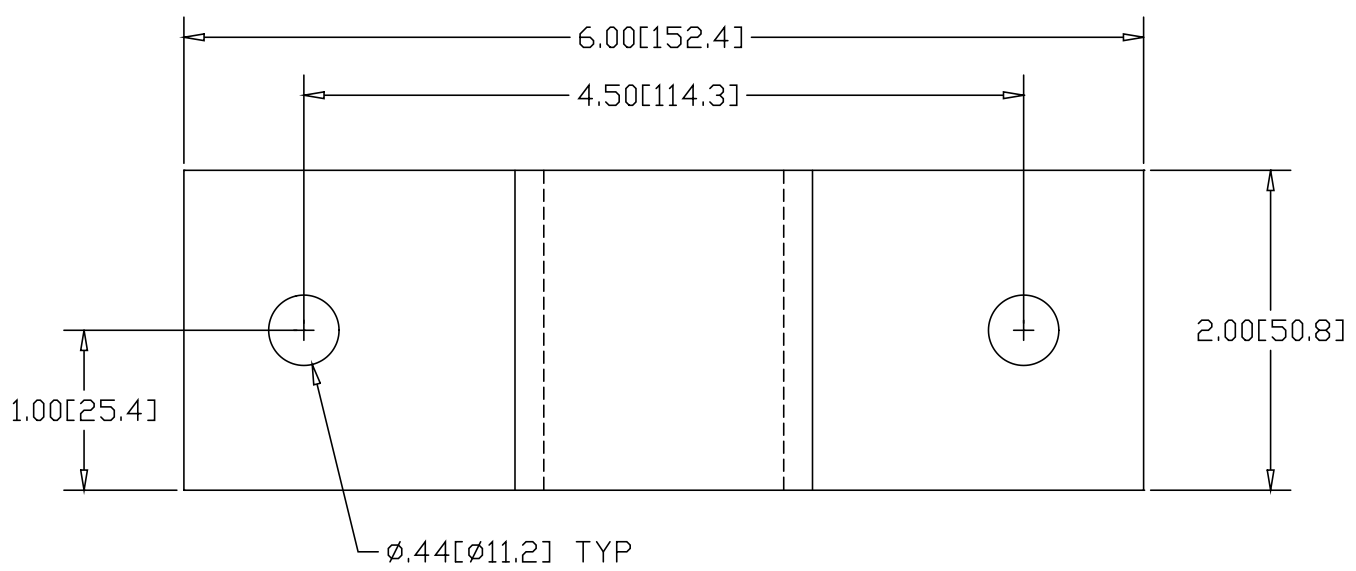



REV  
SH  
3722  
DWG NO

REVISIONS			
REV	DESCRIPTION	DATE	APPROVED



INCHES [MILLIMETERS]

ALTERNATE MATERIAL	PART NUMBER
.190 (3003) ALUMINUM ASTM B209	3722A
7 GA. (304) STAINLESS STEEL ASTM A240	3722-SS

PART NAME		1.50" OD X 2" WIDE U-BRACKET W/(2) HOLES	
MATERIAL		7 GA. HRP&D STEEL ASTM A569	
DATE	1/13/00	 <b>THE WAGNER COMPANIES</b> R & B WAGNER, INC. AND J. G. BRAUN CO.	PART NUMBER <b>3722</b>
DRAWN BY	RJF		
FINISH	MILL		
SIZE	A	WEIGHT	.80 LBS
		REV	