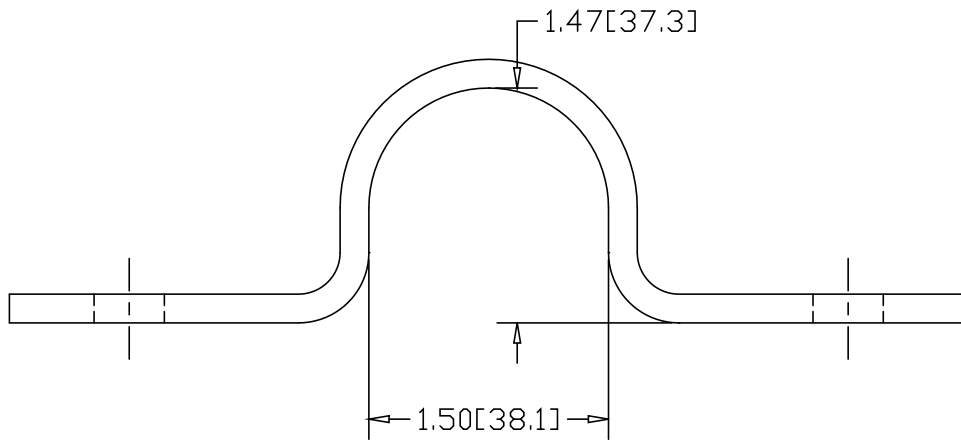
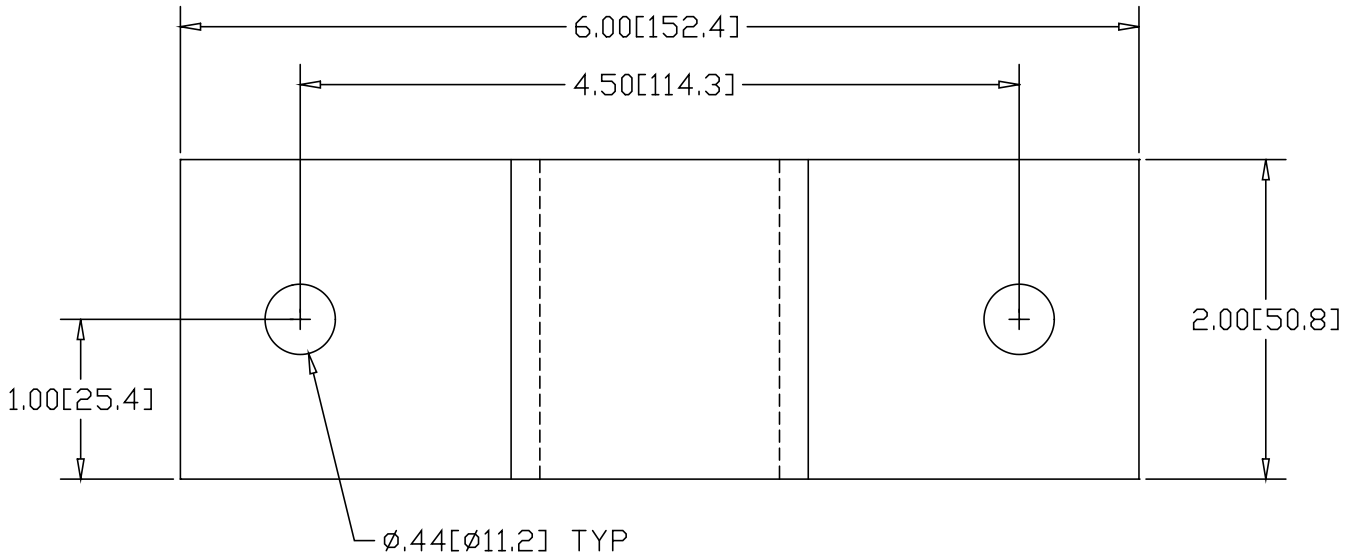



REV
SH
3722
DWG NO

REVISIONS			
REV	DESCRIPTION	DATE	APPROVED



INCHES [MILLIMETERS]

ALTERNATE MATERIAL	PART NUMBER
.190 (3003) ALUMINUM ASTM B209	3722A
7 GA. (304) STAINLESS STEEL ASTM A240	3722-SS

PART NAME		1.50" OD X 2" WIDE U-BRACKET W/(2) HOLES	
MATERIAL		7 GA. HRP&D STEEL ASTM A569	
DATE	1/13/00	 THE WAGNER COMPANIES R & B WAGNER, INC. AND J. G. BRAUN CO.	REV
DRAWN BY	RJF		
FINISH	MILL	SIZE	A
		WEIGHT	.80 LBS
		PART NUMBER	3722