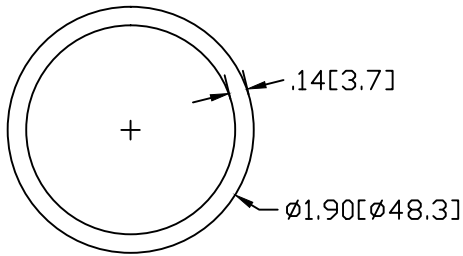
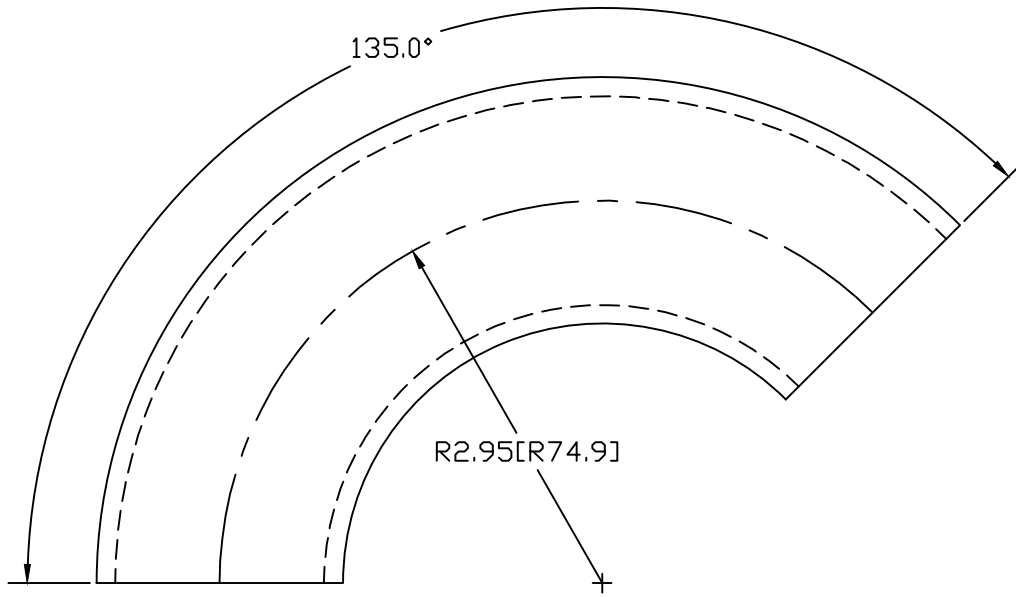



REV  
SH  
341-5  
DWG NO

REVISIONS			
REV	DESCRIPTION	DATE	APPROVED



INCHES [MILLIMETERS]

ALTERNATE MATERIAL	PART NUMBER
1-1/2" SCH 40 (6063) ALUMINUM PIPE	365-5

PART NAME		1-1/2" PIPE SIZE 135° ELL X 2" I.R.					
MATERIAL		1-1/2" SCH 40 STEEL PIPE A53					
DATE	8/24/95	 <b>R &amp; B WAGNER, INC.</b>					
DRAWN BY	RJF						
FINISH	MILL						
SIZE	A	WEIGHT	1.44 LBS	PART NUMBER	341-5	REV	