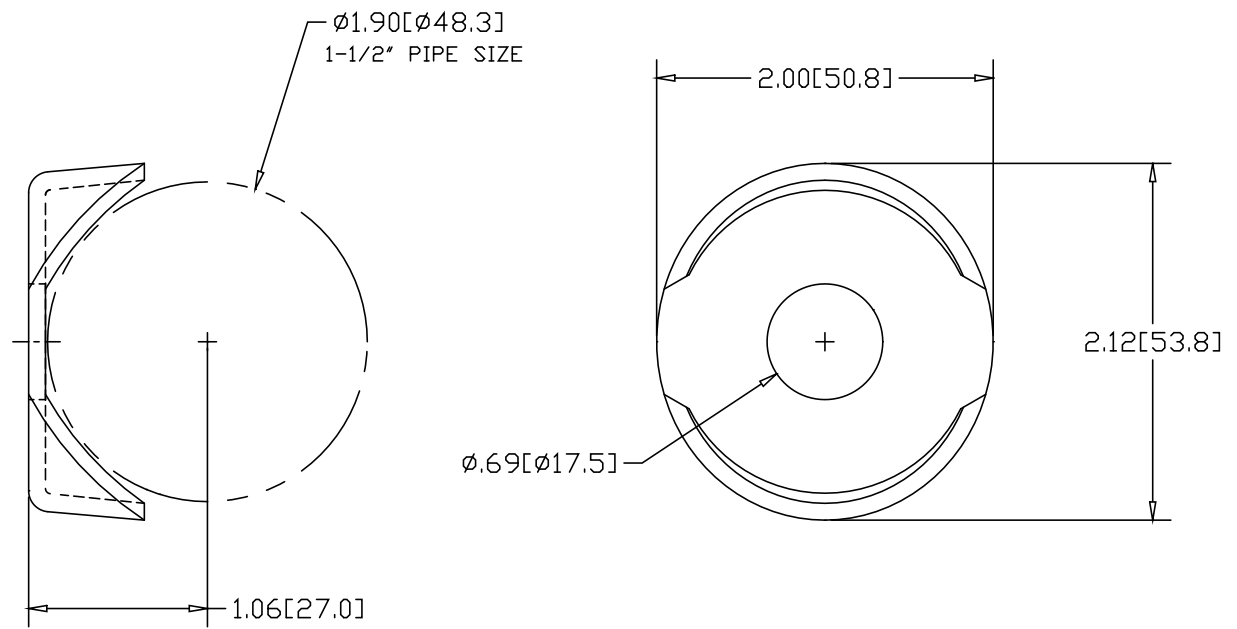



REVISIONS			
REV	DESCRIPTION	DATE	APPROVED



INCHES [MILLIMETERS]

ALTERNATE MATERIAL	PART NO.
13 GA. 304 STAINLESS STEEL ASTM A240	1922
.125 3003 ALUMINUM ASTM B209	1912

PART NAME		1-1/2" PIPE SIZE H-STYLE FILLER		
MATERIAL		13 GA. HRP&O STEEL ASTM A-569		
DATE	11/9/98	 <b>R &amp; B WAGNER, INC.</b>		
DRAWN BY	RJF			
FINISH	MILL	SIZE	WEIGHT	PART NUMBER
		A	.1 LBS	3540
				REV