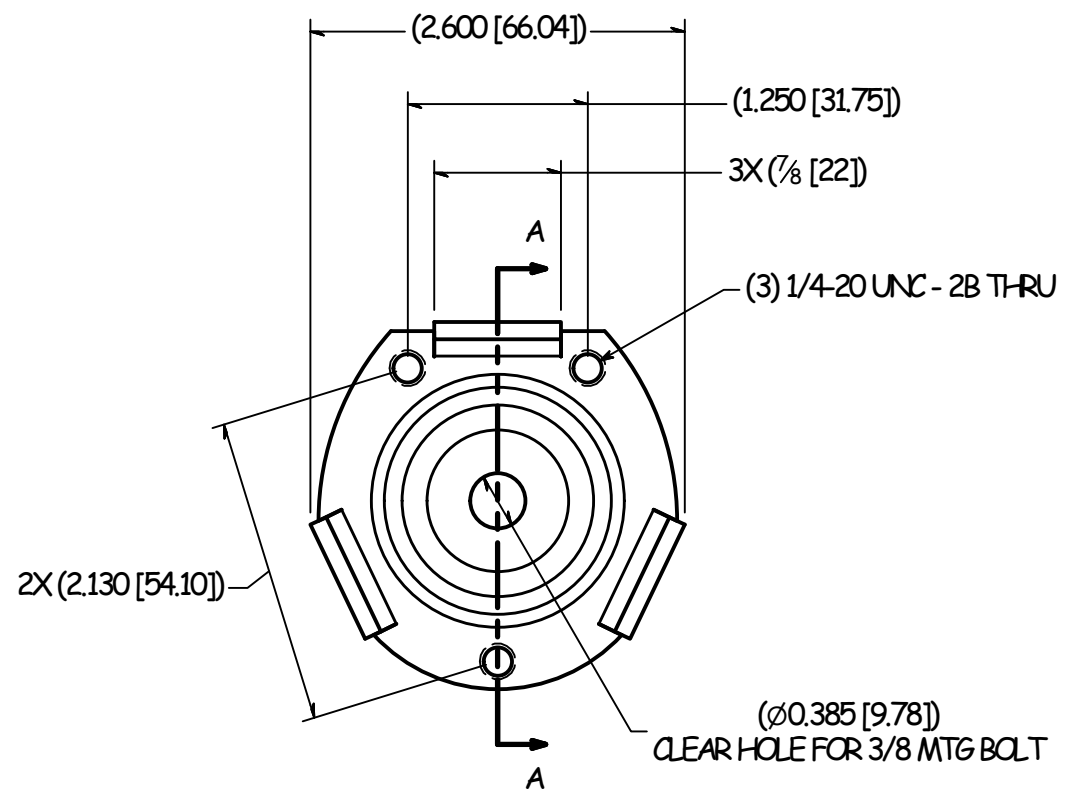



SECTION A-A



- NOTES:
 1. DIMENSIONS SHOWN AS INCHES [MILLIMETERS].
 2. DIMENSIONS WITH (XXX) DENOTE AS REFERENCE.
 3. ENCIRCLED DIMENSIONS DENOTE AS CRITICAL DIMENSIONS.
 4. BURRS 0.015 MAX. [0.381]

TOLERANCE FRACTION: X/XX..... = ± 1/16" over 4ft. DECIMAL: X.XX..... = ± .030 X.XXX..... = ± .010 UNLESS OTHERWISE NOTED	CUT LENGTH:	FINISH:	DESCRIPTION: BRACKET FILLER ST STYLE B 3HOLE .625 W/O SCREWS			
	DEVELOPED LENGTH:	WEIGHT:	MATERIAL: C9610	MATERIAL DESC: HRP & O STEEL ASTM A-569		
	TOOL NUMBER:	SIZE:	DATE: 1/14/2010	 THE WAGNER COMPANIES R & B WAGNER, INC. AND J. G. BRAUN CO.		
	TL8530, TL8535, TL8536	A	DRAWN BY:			

REV: 1