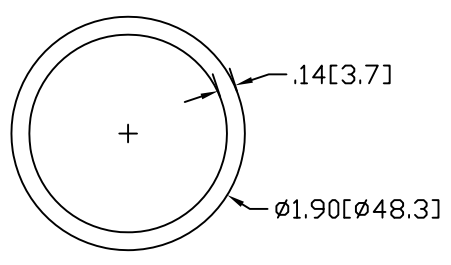
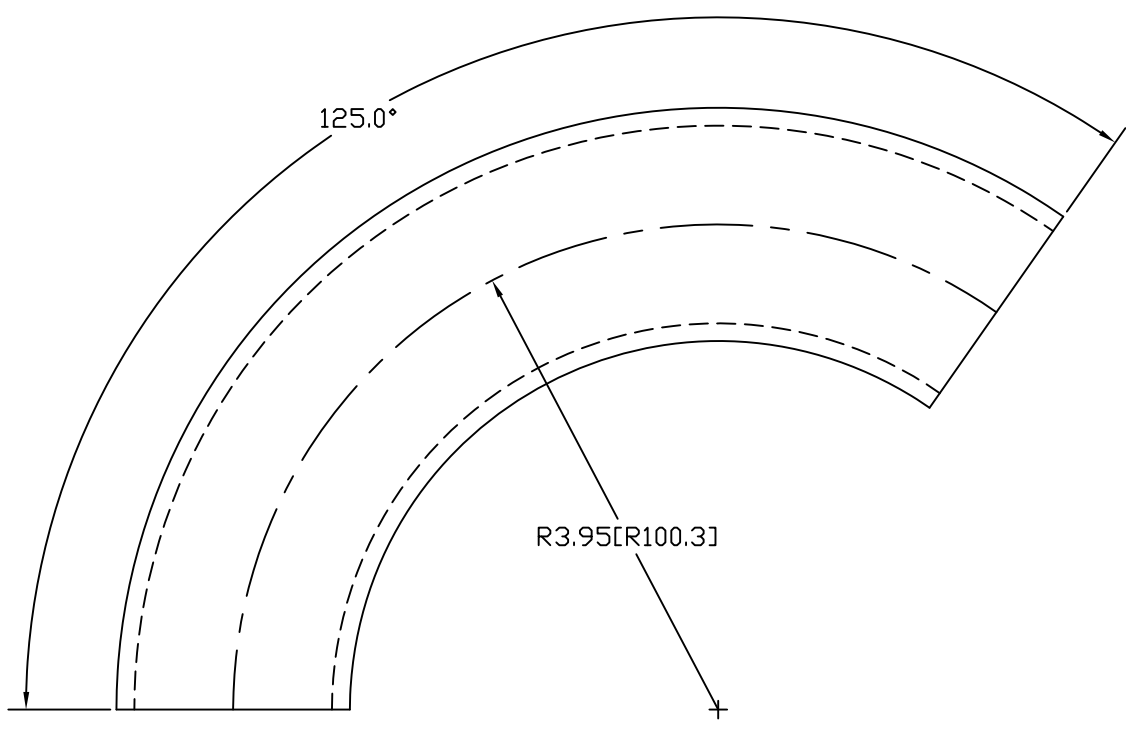



REV
SH
343-4
DWG NO

REVISIONS			
REV	DESCRIPTION	DATE	APPROVED



INCHES [MILLIMETERS]

ALTERNATE MATERIAL	PART NUMBER
1-1/2" SCH 40 (6063) ALUMINUM PIPE	367-4
1-1/2" SCH 40 (304) STAINLESS STEEL PIPE	391-3

PART NAME		1-1/2" PIPE SIZE 125° ELL X 3" I.R.			
MATERIAL		1-1/2" SCH 40 STEEL PIPE			
DATE	9/12/95	 R & B WAGNER, INC.			
DRAWN BY	RJF				
FINISH	MILL	SIZE	WEIGHT	PART NUMBER	REV
		A	1.88 LBS	343-4	