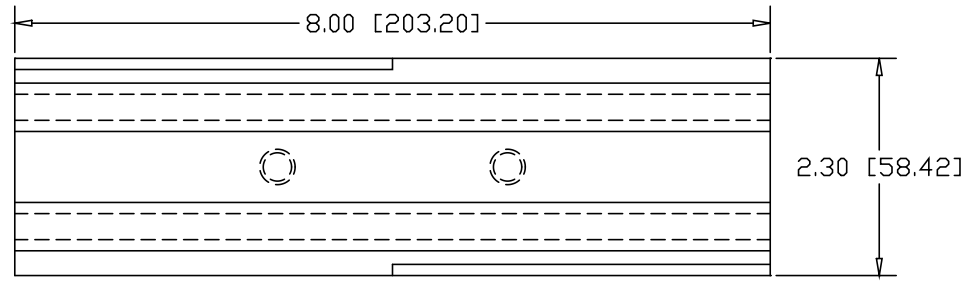
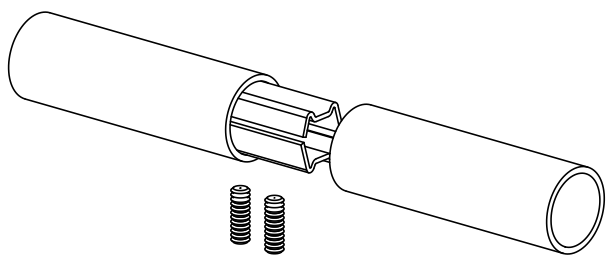
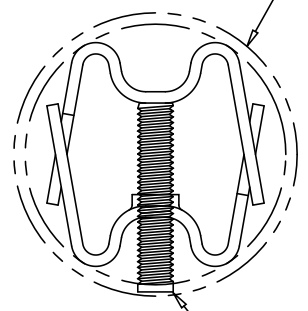


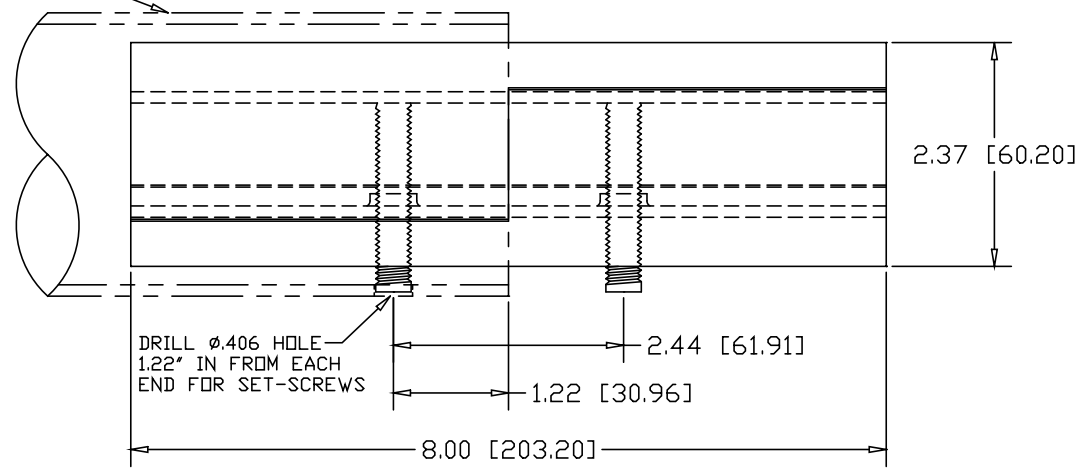
REVISIONS			
REV	DESCRIPTION	DATE	APPROVED



3.00" O.D. X .120W TUBE



3/8-16 X 2" SOCKET HEAD SET-SCREW



DRILL ϕ .406 HOLE
1.22" IN FROM EACH
END FOR SET-SCREWS

ALTERNATE MATERIAL	PART NO.
12 GA. STEEL HOT DIP GALVANIZED	G3394-8
12 GA. STEEL ZINC PLATED	PL3394-8
.090 (3003) ALUMINUM ASTM B209	3395-8
.090 (304) STAINLESS STEEL ASTM A240	3396-8

PART NAME 3.00" O.D. X .120W TUBE DOUBLE-LOCK SPLICE-LOCK 8" LONG			
MATERIAL 12 GA. HRP&D STEEL ASTM A569			
DATE 6/12/96			
DRAWN BY RJF			
FINISH MILL			
SIZE A	WEIGHT 2.44 LBS	PART NUMBER 3394-8	REV